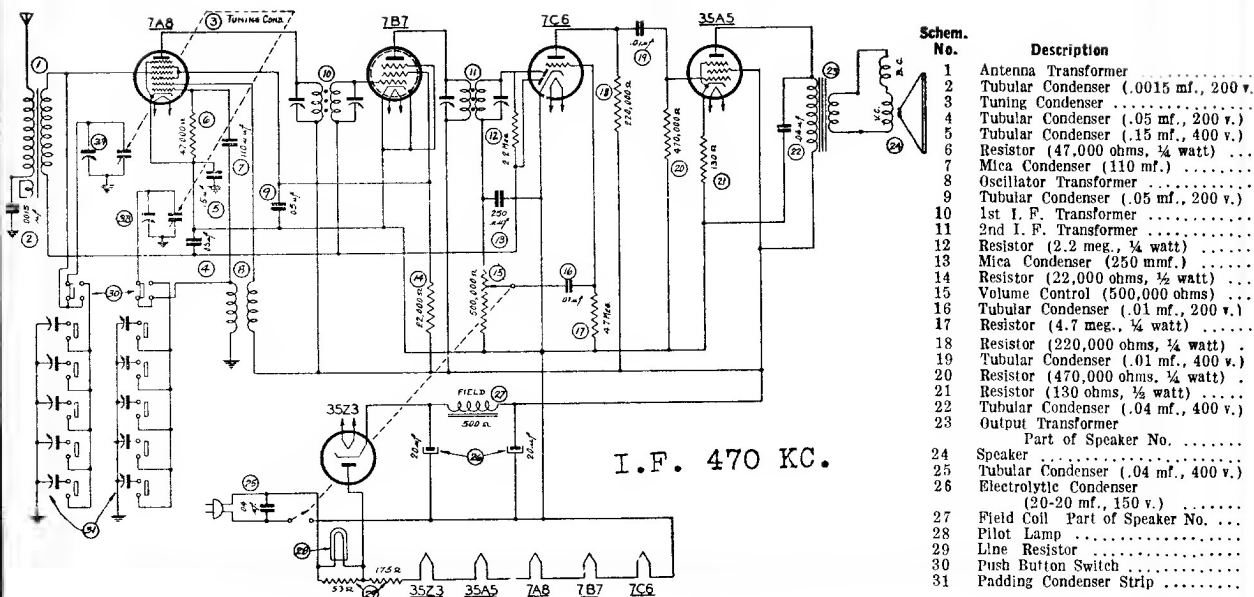


**PHILCO TRANSITONE HOME RADIOS — MODELS PT-46 AND PT-48**

Schem. No.	Description	Philco Part No.	Schem. No.	Description	Philco Part No.
1	Tubular Condenser (.0015 mf., 200 v.)	30-4555	18	Resistor (47,000 ohms, ¼ watt)	33-347154
2	Antenna Transformer	32-3394	19	Mica Condenser (250 mmf.)	61-0033
3	Loop Antenna — Part of Cabinet and Loop Assy.		20	Tubular Condenser (.01 mf., 200 v.)	30-4479
	PT-46	76-1015	21	Resistor (4.7 meg., ¼ watt)	33-547154
	PT-48	76-1016	22	Resistor (220,000 ohms, ¼ watt)	33-422154
4	Tuning Condenser (PT-46 and PT-48)	31-2445	23	Tubular Condenser (.01 mf., 400 v.)	30-4572
5	Padding Condenser	31-6344	24	Resistor (470,000 ohms, ¼ watt)	33-447154
6	Tubular Condenser (.1 mf., 200 v.)	30-4499	25	Resistor (130 ohms, ½ watt)	33-113336
7	Condenser & Choke Assy.	76-1019	26	Tubular Condenser (.04 mf., 400 v.)	30-4119
8	Resistor (22,000 ohms, ¼ watt)	33-322154	27	Output Transformer Part of Speaker No.	36-1469
9	Mica Condenser (110 mmf.)	30-1130	28	Speaker	36-1469
10	Oscillator Transformer	32-3152	29	Field Coil	Part of Speaker No. 36-1469
11	Tubular Condenser (.05 mf., 200 v.)	30-4519	30	Electrolytic Condenser (20-20 mf., 150 v.)	30-2382
12	1st I. F. Transformer	32-3390	31	Line Resistor	33-3367
13	Resistor (22,000 ohms, ¼ watt)	33-322334	32	Pilot Lamp	34-2068
14	2nd I. F. Transformer	32-3301	33	Tubular Condenser (.04 mf., 400 v.)	30-4119
15	Resistor (2.2 meg., ¼ watt)	33-522154	34	Padding Condenser Strip	31-6324
16	Mica Condenser (250 mmf.)	61-0033	35	Push Button Switch	42-1485
17	Volume Control (500,000 ohms)	33-5306			

**PHILCO TRANSITONE HOME RADIO MODELS PT-45 AND PT-47**



Schem. No.	Description
1	Antenna Transformer
2	Tubular Condenser (.0015 mf., 200 v.)
3	Tuning Condenser
4	Tubular Condenser (.05 mf., 200 v.)
5	Tubular Condenser (.15 mf., 400 v.)
6	Resistor (47,000 ohms, ¼ watt)
7	Mica Condenser (110 mf.)
8	Oscillator Transformer
9	Tubular Condenser (.05 mf., 200 v.)
10	1st I. F. Transformer
11	2nd I. F. Transformer
12	Resistor (2.2 meg., ¼ watt)
13	Mica Condenser (250 mmf.)
14	Resistor (22,000 ohms, ¼ watt)
15	Volume Control (500,000 ohms)
16	Tubular Condenser (.01 mf., 200 v.)
17	Resistor (4.7 meg., ¼ watt)
18	Resistor (220,000 ohms, ¼ watt)
19	Tubular Condenser (.01 mf., 400 v.)
20	Resistor (470,000 ohms, ¼ watt)
21	Resistor (130 ohms, ½ watt)
22	Tubular Condenser (.04 mf., 400 v.)
23	Output Transformer Part of Speaker No.
24	Speaker
25	Tubular Condenser (.04 mf., 400 v.)
26	Electrolytic Condenser (20-20 mf., 150 v.)
27	Field Coil Part of Speaker No.
28	Pilot Lamp
29	Line Resistor
30	Push Button Switch
31	Padding Condenser Strip