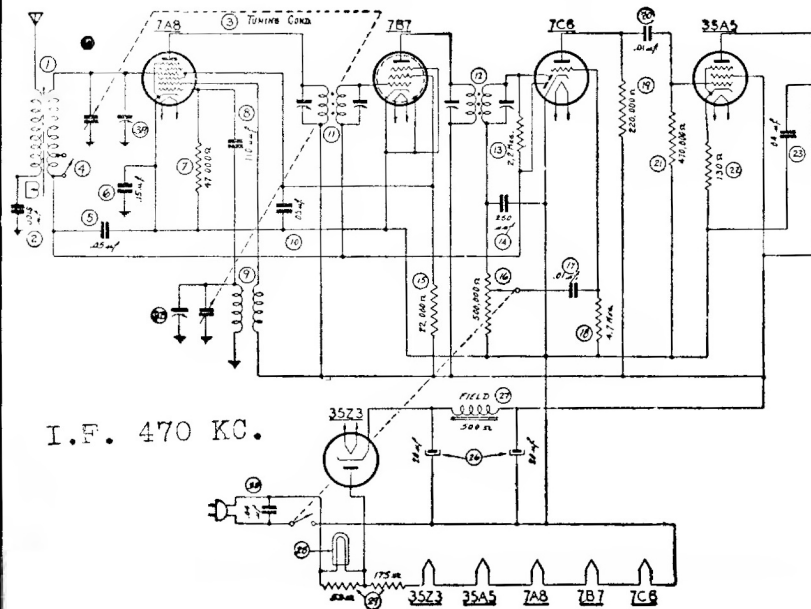


I.F. 470 KC.

PHILCO TRANSITONE MODELS PT-37 AND PT-53

Schem. No.	Description	Philco Part No.	Schem. No.	Description	Philco Part No.
1	Antenna Transformer	32-3233	19	Resistor (2.2 megohms, ¼ watt)	33-322154
2	Tubular Condenser (.0015 mf., 200 v.)	30-4555S	20	Mica Condenser (250 mmf.)	61-0033
3	Tuning Condenser	31-2431	21	Resistor (8,200 ohms, ¼ watt)	33-282334
4	Wave Switch	42-1497	22	Volume Control	33-5306
5	Tubular Condenser (.05 mf., 200 v.)	30-4519S	23	Tubular Condenser (.01 mf., 400 v.)	30-4572S
6	Tubular Condenser (.15 mf., 400 v.)	30-4600S	24	Resistor (4.7 megohm, ¼ watt)	33-547154
7	Tubular Condenser (.05 mf., 200 v.)	30-4519S	25	Resistor (220,000 ohms, ¼ watt)	33-522154
8	Resistor (220 ohms, ½ watt)	33-122336	26	Tubular Condenser (.01 mf., 200 v.)	30-4581S
9	Resistor (100,000 ohms, ¼ watt)	33-410154	27	Resistor (470,000 ohms, ¼ watt)	33-447154
10	Mica Condenser (250 mmf.)	61-0033	28	Electrolytic Condenser	30-2402
11	Short Wave Oscillator Trans.	32-3234	29	Resistor (130 ohms, ¼ watt)	33-113336
12	BC Oscillator Transformer	32-3217	30	Tubular Condenser (.04 mf., 400 v.)	30-4119S
13	Dual Padding Condenser	31-6331	31	Output Trans.—Part of Speaker No.	36-1469
14	Mica Condenser (410 mmf.)	30-1089	32	Speaker	36-1469
15	Resistor (4700 ohms, ¼ watt)	33-247134	33	Field Coil—Part of Speaker No.	36-1469
16	Tubular Condenser (.05 mf., 200 v.)	30-4519S	34	Pilot Lamp	34-2068
17	1st I. F. Transformer	32-3327	35	Line Resistor	33-3367
18	2nd I. F. Transformer	32-3150	36	Tubular Condenser (.04 mf., 400 v.)	30-4119S

PHILCO TRANSITONE HOME RADIO MODEL PT-35



I.F. 470 KC.

Schem. No.	Description
1	Antenna Transformer
2	Tubular Condenser (.0015 mf., 200 v.)
3	Tuning Condenser
4	Switch
5	Tubular Condenser (.05 mf., 200 v.)
6	Tubular Condenser (.15 mf., 400 v.)
7	Resistor (47,000 ohms, ¼ watt)
8	Mica Condenser (110 mmf.)
9	Oscillator Transformer
10	Tubular Condenser (.05 mf., 200 v.)
11	1st I. F. Transformer
12	2nd I. F. Transformer
13	Resistor (2.2 meg., ¼ watt)
14	Mica Condenser (250 mmf.)
15	Resistor (22,000 ohms, ¼ watt)
16	Volume Control (500,000 ohms)
17	Tubular Condenser (.01 mf., 200 v.)
18	Resistor (4.7 meg., ¼ watt)
19	Resistor (220,000 ohms, ¼ watt)
20	Tubular Condenser (.01 mf., 400 v.)
21	Resistor (470,000 ohms, ¼ watt)
22	Resistor (130 ohms, ¼ watt)
23	Tubular Condenser (.04 mf., 400 v.)
24	Output Transformer
25	Speaker
26	Electrolytic Condenser (20-20 mf., 150 v.)
27	Field Coil—Part of Speaker No.
28	Pilot Lamp
29	Line Resistor
30	Tubular Condenser (.04 mf., 400 v.)