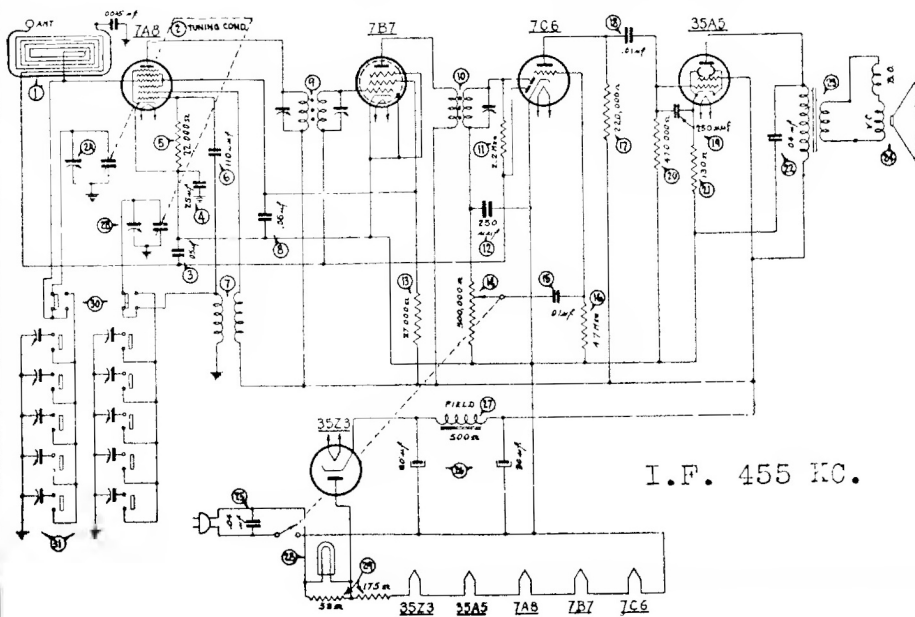


I.F. 470 KC.

PHILCO TRANSITONE HOME RADIO MODEL PT-59

Schem. No.	Description	Philco Part No.	Schem. No.	Description	Philco Part No.
1	Antenna Transformer	32-3164	18	Resistor (4.7 meg., 1/4 watt)	33-547154
2	Tubular Condenser (.0015 mf., 200 v.)	30-45558	19	Resistor (220,000 ohms, 1/4 watt)	33-422154
3	Tuning Condenser	31-2135	20	Tubular Condenser (.01 mf., 400 v.)	30-45728
4	Switch	42-1406	21	Resistor (470,000 ohms, 1/4 watt)	33-447154
5	Tubular Condenser (.05 mf., 200 v.)	30-45198	22	Resistor (130 ohms, 1/2 watt)	33-113336
6	Tubular Condenser (.15 mf., 400 v.)	30-45058	23	Tubular Condenser (.4 mf., 400 v.)	30-41198
7	Resistor (47,000 ohms, 1/4 watt)	33-347154	24	Output Transformer	
8	Mica Condenser (.110 mmf.)	30-1130		Part of Speaker No.	36-1469
9	Oscillator Transformer	32-3152	25	Speaker	36-1469
10	Tubular Condenser (.05 mf., 200 v.)	30-45198	26	Electrolytic Capacitor	
11	1st I. F. Transformer	32-3149		(20-20 mf., 150 v.)	30-2382
12	2nd I. F. Transformer	32-3150	27	Field Coil	
13	Resistor (2.2 meg., 1/4 watt)	33-522154		Part of Speaker, Part No.	36-1469
14	Mica Condenser (.250 mmf.)	61-0033	28	Pilot Lamp	34-2068
15	Resistor (22,000 ohms, 1/2 watt)	33-322334	29	Line Resistor	33-3367
16	Volume Control (500,000 ohms)	33-5306	30	Tubular Condenser (.04 mf., 400 v.)	30-41198
17	Tubular Condenser (.01 mf., 200 v.)	30-44798			

PHILCO TRANSITONE HOME RADIOS — MODEL PT-66



I.F. 455 KC.

Schem. No.	Description
1	Loop Antenna Assembly
2	Tuning Condenser
3	Tubular Condenser (.03 mf., 200 v.)
4	Tubular Condenser (.25 mf., 400 v.)
5	Resistor (22,000 ohms, 1/4 watt)
6	Mica Condenser (.110 mmf.)
7	Oscillator Transformer
8	Tubular Condenser (.05 mf., 200 v.)
9	1st I. F. Transformer
10	2nd I. F. Transformer
11	Resistor (2.2 meg., 1/4 watt)
12	Mica Condenser (.250 mmf.)
13	Resistor (27,000 ohms, 1/2 watt)
14	Volume Control (500,000 ohms)
15	Tubular Condenser (.01 mf., 200 v.)
16	Resistor (4.7 meg., 1/4 watt)
17	Resistor (220,000 ohms, 1/4 watt)
18	Tubular Condenser (.01 mf., 400 v.)
19	Mica Condenser (.250 mmf.)
20	Resistor (470,000 ohms, 1/4 watt)
21	Resistor (130 ohms, 1/2 watt)
22	Tubular Condenser (.04 mf., 400 v.)
23	Output Transformer
	Part of Speaker No.
24	Speaker
25	Tubular Condenser (.04 mf., 400 v.)
26	Electrolytic Capacitor
	(20-20 mf., 150 v.)
27	Field Coil—Part of Speaker No.
28	Pilot Lamp
29	Line Resistor
30	Push Button Switch
31	Padding Condenser Strip