

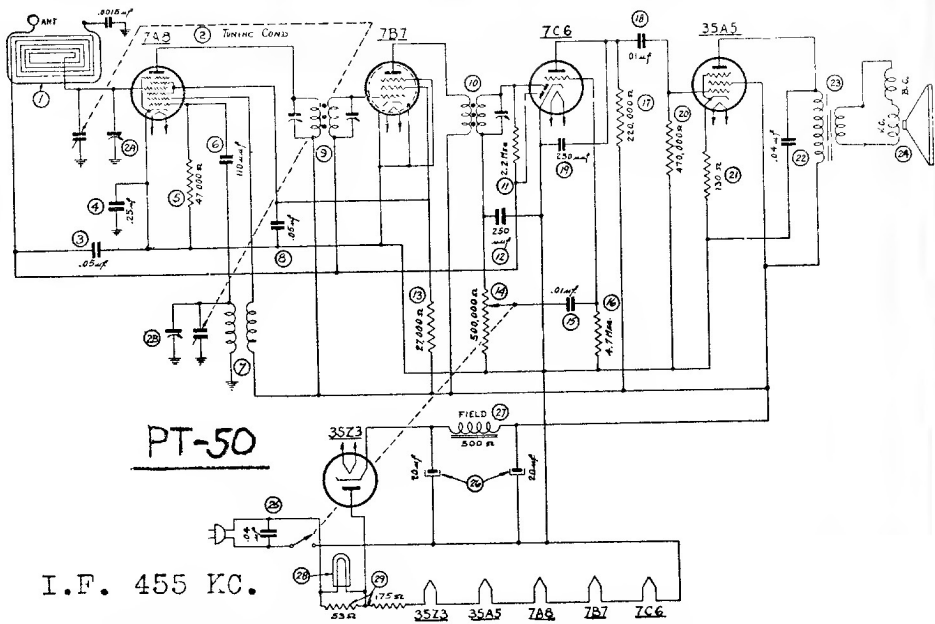
I.F. 470 KC.

PHILCO TRANSITONE HOME RADIO MODELS PT-29 AND PT-31

Schem. No.	Description	Philco Part No.	Schem. No.	Description	Philco Part No.
1	Antenna Transformer	32-3164	18	Resistor (4.7 meg., 1/4 watt)	33-547154
2	Tubular Condenser (.0015 mf., 200 v.)	30-4555S	19	Resistor (220,000 ohms, 1/4 watt)	33-422154
3	Tuning Condenser	31-2427	20	Tubular Condenser (.01 mf., 400 v.)	30-4572S
4	Switch	42-1406	21	Resistor (47,000 ohms, 1/4 watt)	33-447154
5	Tubular Condenser (.05 mf., 200 v.)	30-4519S	22	Resistor (130 ohms, 1/2 watt)	33-113338
6	Tubular Condenser (.15 mf., 400 v.)	30-4505S	23	Tubular Condenser (.04 mf., 400 v.)	30-4119S
7	Resistor (47,000 ohms, 1/4 watt)	33-347154	24	Output Transformer	
8	Mica Condenser (110 mmf.)	30-1130		Part of Speaker No.	36-1469
9	Oscillator Transformer	32-3152	25	Speaker	36-1469
10	Tubular Condenser (.05 mf., 200 v.)	30-4519S	26	Electrolytic Condenser (20-20 mf., 150 v.)	30-2382
11	1st I. F. Transformer	32-3149	27	Field Coll Part of Speaker, Part Number	36-1469
12	2nd I. F. Transformer	32-3150	28	Pilot Lamp	34-2068
13	Resistor (2.2 meg., 1/4 watt)	33-522154	29	Line Resistor	33-3367
14	Mica Condenser (250 mmf.)	61-0083	30	Tubular Condenser (.04 mf., 400 v.)	30-4119S
15	Resistor (22,000 ohms, 1/2 watt)	33-32334			
16	Volume Control (500,000 ohms)	33-5306			
17	Tubular Condenser (.01 mf., 200 v.)	30-4479S			

PHILCO TRANSITONE HOME RADIOS — MODELS PT-33, PT-41 AND PT-61

- 1 Loop Antenna Assembly
- 2 Tuning Condenser
- 3 Tubular Condenser (.05 mf., 200 V.)
- 4 Tubular Condenser (.25 mf., 400 V.)
- 5 Resistor (47,000 ohms, 1/4 watt)
- 6 Mica Condenser (110 mmf.)
- 7 Oscillator Transformer
- 8 Tubular Condenser (.05 mf., 200 V.)
- 9 1st I. F. Transformer
- 10 2nd I. F. Transformer
- 11 Resistor (2.2 megs., 1/4 watt)
- 12 Mica Condenser (250 mmf.)
- 13 Resistor (27,000 ohms, 1/2 watt)
- 14 Volume Control (500,000 ohms)
- 15 Tubular Condenser (.01 mf., 200 V.)
- 16 Resistor (4.7 megs., 1/4 watt)
- 17 Resistor (220,000 ohms, 1/4 watt)
- 18 Tubular Condenser (.01 mf., 400 V.)
- 19 Mica Condenser (250 mmf.)
- 20 Resistor (470,000 ohms, 1/4 watt)
- 21 Resistor (130 ohms, 1/2 watt)
- 22 Tubular Condenser (.04 mf., 400 V.)
- 23 Output Transformer ..Part of Speaker
- 24 Speaker
- 25 Tubular Condenser (.04 mf., 400 V.)
- 26 Electrolytic Condenser (20-20 mf., 150 V.)
- 27 Field Coll ..Part of Speaker
- 28 Pilot Lamp
- 29 Line Resistor



PT-50

I.F. 455 KC.