

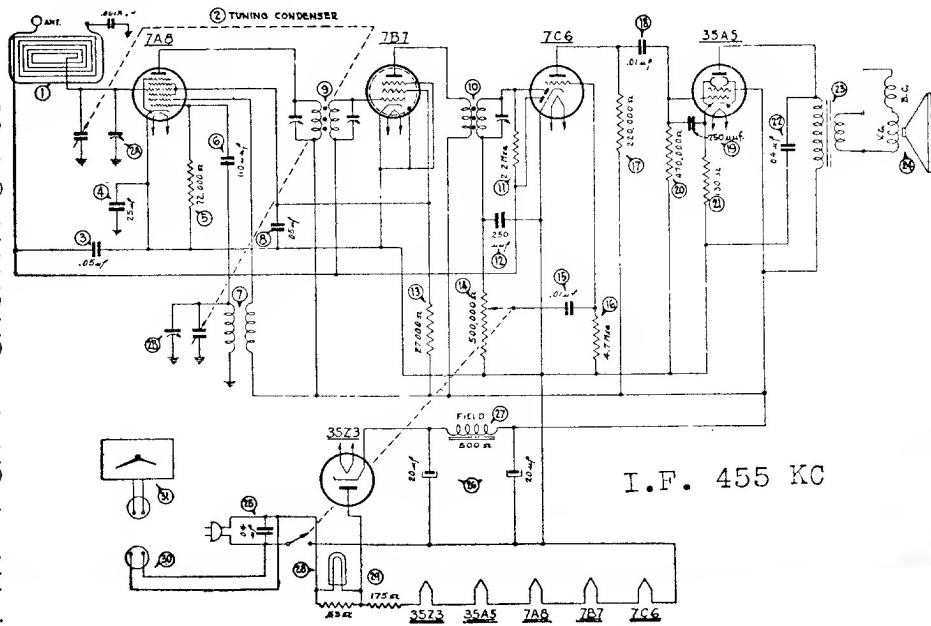
I.F. 455 KC.

**PHILCO TRANSITONE HOME RADIO MODEL PT-67**

| Schem. No. | Description                         | Philco Part No. | Schem. No. | Description                                | Philco Part No.             |
|------------|-------------------------------------|-----------------|------------|--|-----------------------------|
| 1          | Loop Antenna Assembly               | 38-9937         | 18         | Tubular Condenser (.01 mf., 400 v.)        | 30-4572S                    |
| 2          | Tuning Condenser                    | 31-2437         | 19         | Mica Condenser (250 mmf.)                  | 61-0033                     |
| 3          | Tubular Condenser (.05 mf., 200 v.) | 30-4519S        | 20         | Resistor (470,000 ohms, 1/4 watt)          | 33-447154                   |
| 4          | Tubular Condenser (.25 mf., 400 v.) | 30-4604S        | 21         | Resistor (130 ohms, 1/2 watt)              | 33-113336                   |
| 5          | Resistor (47,000 ohms, 1/4 watt)    | 33-347154       | 22         | Tubular Condenser (.04 mf., 400 v.)        | 30-4119S                    |
| 6          | Mica Condenser (110 mmf.)           | 30-1130         | 23         | Output Transformer                         | Part of Speaker No. 36-1469 |
| 7          | Oscillator Transformer              | 32-3152         | 24         | Speaker                                    | 36-1469                     |
| 8          | Tubular Condenser (.05 mf., 200 v.) | 30-4519S        | 25         | Tubular Condenser (.04 mf., 400 v.)        | 30-4119S                    |
| 9          | 1st I. F. Transformer               | 32-3177         | 26         | Electrolytic Condenser (20-20 mf., 150 v.) | 30-2382                     |
| 10         | 2nd I. F. Transformer               | 32-3178         | 27         | Field Coil                                 | Part of Speaker No. 36-1469 |
| 11         | Resistor (2.2 megs., 1/4 watt)      | 33-522154       | 28         | Pilot Lamp                                 | 34-2068                     |
| 12         | Mica Condenser (250 mmf.)           | 61-0033         | 29         | Line Resistor                              | 33-3367                     |
| 13         | Resistor (27,000 ohms, 1/2 watt)    | 33-327334       | 30         | Push Button Switch                         | 42-1485                     |
| 14         | Volume Control (500,000 ohms)       | 33-5306         | 31         | Padding Condenser Strip                    | 31-6324                     |
| 15         | Tubular Condenser (.01 mf., 200 v.) | 30-4479S        |            |  |                             |
| 16         | Resistor (4.7 megs., 1/4 watt)      | 33-547154       |            |  |                             |
| 17         | Resistor (220,000 ohms, 1/4 watt)   | 33-422154       |            |  |                             |

**PHILCO TRANSITONE HOME RADIO — MODEL PT-69**

| Schem. No. | Description  |
|------------|--|
| 1          | Loop Antenna Assembly  |
| 2          | Tuning Condenser   |
| 3          | Tubular Condenser (.05 mf., 200 v.)                                      |
| 4          | Tubular Condenser (.25 mf., 400 v.)                                      |
| 5          | Resistor (22,000 ohms, 1/4 watt)   |
| 6          | Mica Condenser (110 mmf.)  |
| 7          | Oscillator Transformer   |
| 8          | Tubular Condenser (.05 mf., 200 v.)                                      |
| 9          | 1st I. F. Transformer  |
| 10         | 2nd I. F. Transformer  |
| 11         | Resistor (2.2 megs., 1/4 watt)   |
| 12         | Mica Condenser (250 mmf.)  |
| 13         | Resistor (27,000 ohms, 1/2 watt)   |
| 14         | Volume Control (500,000 ohms)  |
| 15         | Tubular Condenser (.01 mf., 200 v.)                                      |
| 16         | Resistor (4.7 megs., 1/4 watt)   |
| 17         | Resistor (220,000 ohms, 1/4 watt)  |
| 18         | Tubular Condenser (.01 mf., 400 v.)                                      |
| 19         | Mica Condenser (250 mmf.)  |
| 20         | Resistor (470,000 ohms, 1/4 watt)  |
| 21         | Resistor (130 ohms, 1/2 watt)  |
| 22         | Tubular Condenser (.04 mf., 400 v.)                                      |
| 23         | Output Transformer   |
| 24         | Speaker  |
| 25         | Tubular Condenser (.04 mf., 400 v.)                                      |
| 26         | Electrolytic Condenser (20-20 mf., 150 v.)                               |
| 27         | Field Coil   |
| 28         | Pilot Lamp   |
| 29         | Line Resistor  |
| 30         | Connector Cable  |
| 31         | Complete Clock (For 50 Cycle operation) ... (For 60 Cycle operation) ... |



I.F. 455 KC