

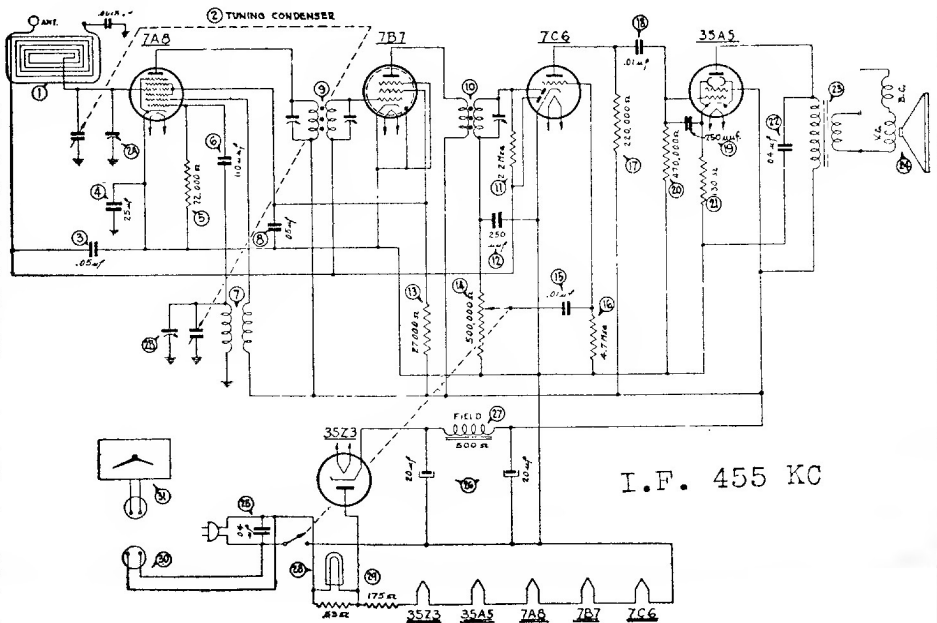
I.F. 455 KC.

PHILCO TRANSITONE HOME RADIO MODEL PT-67

| Schem. No. | Description | Philco Part No. | Schem. No. | Description | Philco Part No. |
|------------|-------------------------------------|-----------------|------------|-------------------------------------|-----------------------------------|
| 1 | Loop Antenna Assembly | 38-9937 | 18 | Tubular Condenser (.01 mf., 400 v.) | 30-45728 |
| 2 | Tuning Condenser | 31-2437 | 19 | Mica Condenser (250 mmf.) | 61-0033 |
| 3 | Tubular Condenser (.05 mf., 200 v.) | 30-45198 | 20 | Resistor (470,000 ohms, 1/2 watt) | 33-447154 |
| 4 | Tubular Condenser (.25 mf., 400 v.) | 30-46048 | 21 | Resistor (130 ohms, 1/2 watt) | 33-113336 |
| 5 | Resistor (47,000 ohms, 1/4 watt) | 33-347154 | 22 | Tubular Condenser (.04 mf., 400 v.) | 30-41198 |
| 6 | Mica Condenser (110 mmf.) | 30-1130 | 23 | Output Transformer | |
| 7 | Oscillator Transformer | 32-3152 | | Part of Speaker No. 36-1469 | |
| 8 | Tubular Condenser (.05 mf., 200 v.) | 30-45198 | 24 | Speaker | 36-1469 |
| 9 | 1st I. F. Transformer | 32-3177 | 25 | Tubular Condenser (.04 mf., 400 v.) | 30-41198 |
| 10 | 2nd I. F. Transformer | 32-3178 | 26 | Electrolytic Condenser | |
| 11 | Resistor (2.2 megs., 1/4 watt) | 33-522154 | | (20-20 mf., 150 v.) | 30-2382 |
| 12 | Mica Condenser (250 mmf.) | 61-0033 | 27 | Field Coil | Part of Speaker No. 36-1469 |
| 13 | Resistor (27,000 ohms, 1/2 watt) | 33-327334 | 28 | Pilot Lamp | 34-2068 |
| 14 | Volume Control (500,000 ohms) | 33-5306 | 29 | Line Resistor | 33-3367 |
| 15 | Tubular Condenser (.01 mf., 200 v.) | 30-44798 | 30 | Push Button Switch | 42-1485 |
| 16 | Resistor (4.7 megs., 1/4 watt) | 33-547154 | 31 | Padding Condenser Strip | 31-6324 |
| 17 | Resistor (220,000 ohms, 1/4 watt) | 33-422154 | | | |

PHILCO TRANSITONE HOME RADIO — MODEL PT-69

| Schem. No. | Description |
|------------|-------------------------------------|
| 1 | Loop Antenna Assembly |
| 2 | Tuning Condenser |
| 3 | Tubular Condenser (.05 mf., 200 v.) |
| 4 | Tubular Condenser (.25 mf., 400 v.) |
| 5 | Resistor (22,000 ohms, 1/4 watt) |
| 6 | Mica Condenser (110 mmf.) |
| 7 | Oscillator Transformer |
| 8 | Tubular Condenser (.05 mf., 200 v.) |
| 9 | 1st I. F. Transformer |
| 10 | 2nd I. F. Transformer |
| 11 | Resistor (2.2 megs., 1/4 watt) |
| 12 | Mica Condenser (250 mmf.) |
| 13 | Resistor (27,000 ohms, 1/2 watt) |
| 14 | Volume Control (500,000 ohms) |
| 15 | Tubular Condenser (.01 mf., 200 v.) |
| 16 | Resistor (4.7 megs., 1/4 watt) |
| 17 | Resistor (220,000 ohms, 1/4 watt) |
| 18 | Tubular Condenser (.01 mf., 400 v.) |
| 19 | Mica Condenser (250 mmf.) |
| 20 | Resistor (470,000 ohms, 1/2 watt) |
| 21 | Resistor (130 ohms, 1/2 watt) |
| 22 | Tubular Condenser (.04 mf., 400 v.) |
| 23 | Output Transformer |
| 24 | Part of Speaker No. |
| 25 | Speaker |
| 26 | Tubular Condenser (.04 mf., 400 v.) |
| 27 | Electrolytic Condenser |
| | (20-20 mf., 150 v.) |
| 28 | Field Coil |
| | Part of Speaker No. |
| 29 | Pilot Lamp |
| 30 | Line Resistor |
| 31 | Connector Cable |
| | Complete Pack |
| | (For 50 Cycle operation) ... |
| | (For 60 Cycle operation) |



I.F. 455 KC