

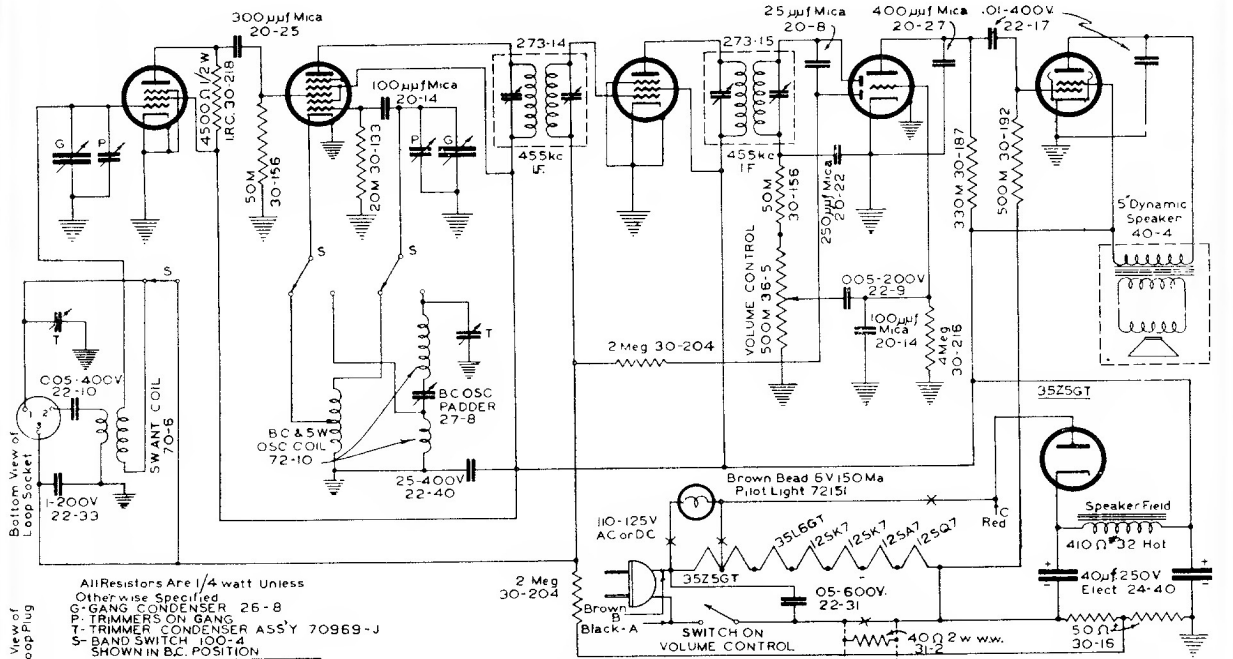
12SK7

12SA7

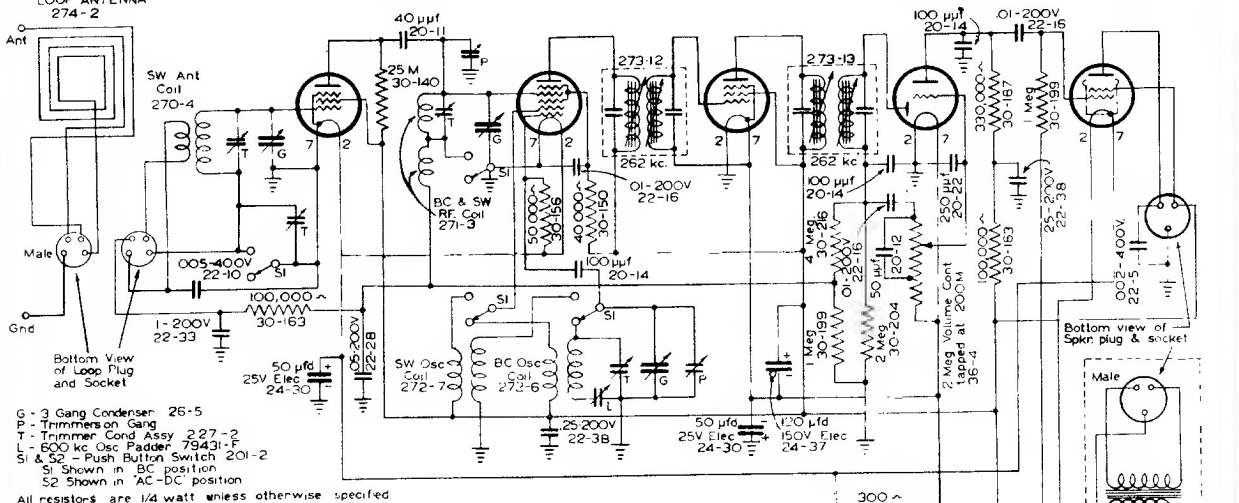
12SK7

12SQ7

35L6GT

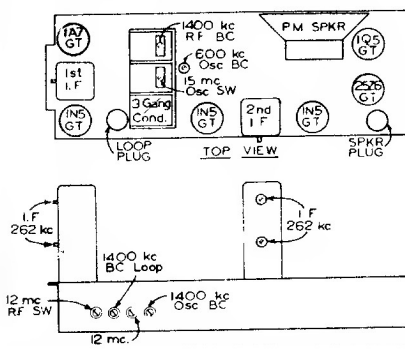


LOOP ANTENNA 274-2

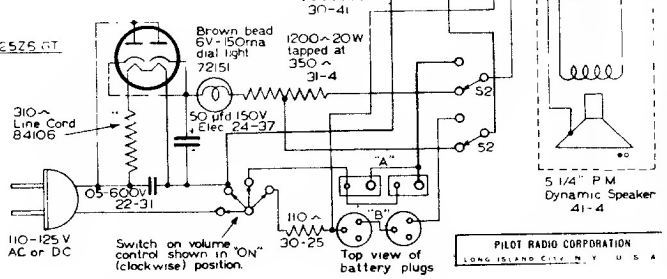


- G-3 Gang Condenser 26-5
- P- Trimmers on Gang
- T- Trimmer Cond Assy 227-2
- L- 600 kc Osc Padler 79431-F
- S1 & S2 - Push Button Switch 201-2
- S1 Shown in BC position
- S2 Shown in AC-DC position

All resistors are 1/4 watt unless otherwise specified



35Z5GT



T-1B5