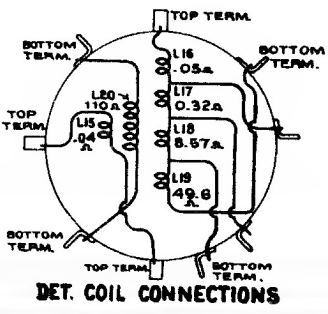
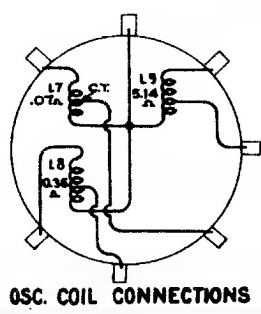
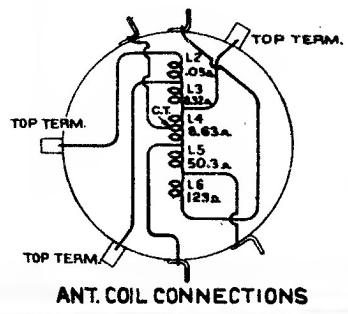
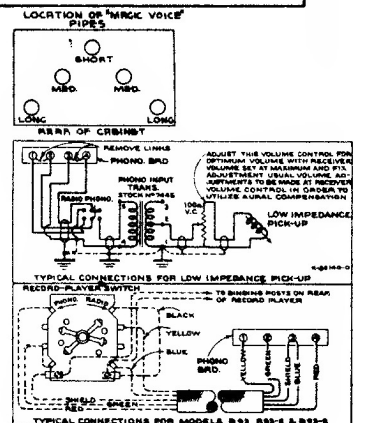
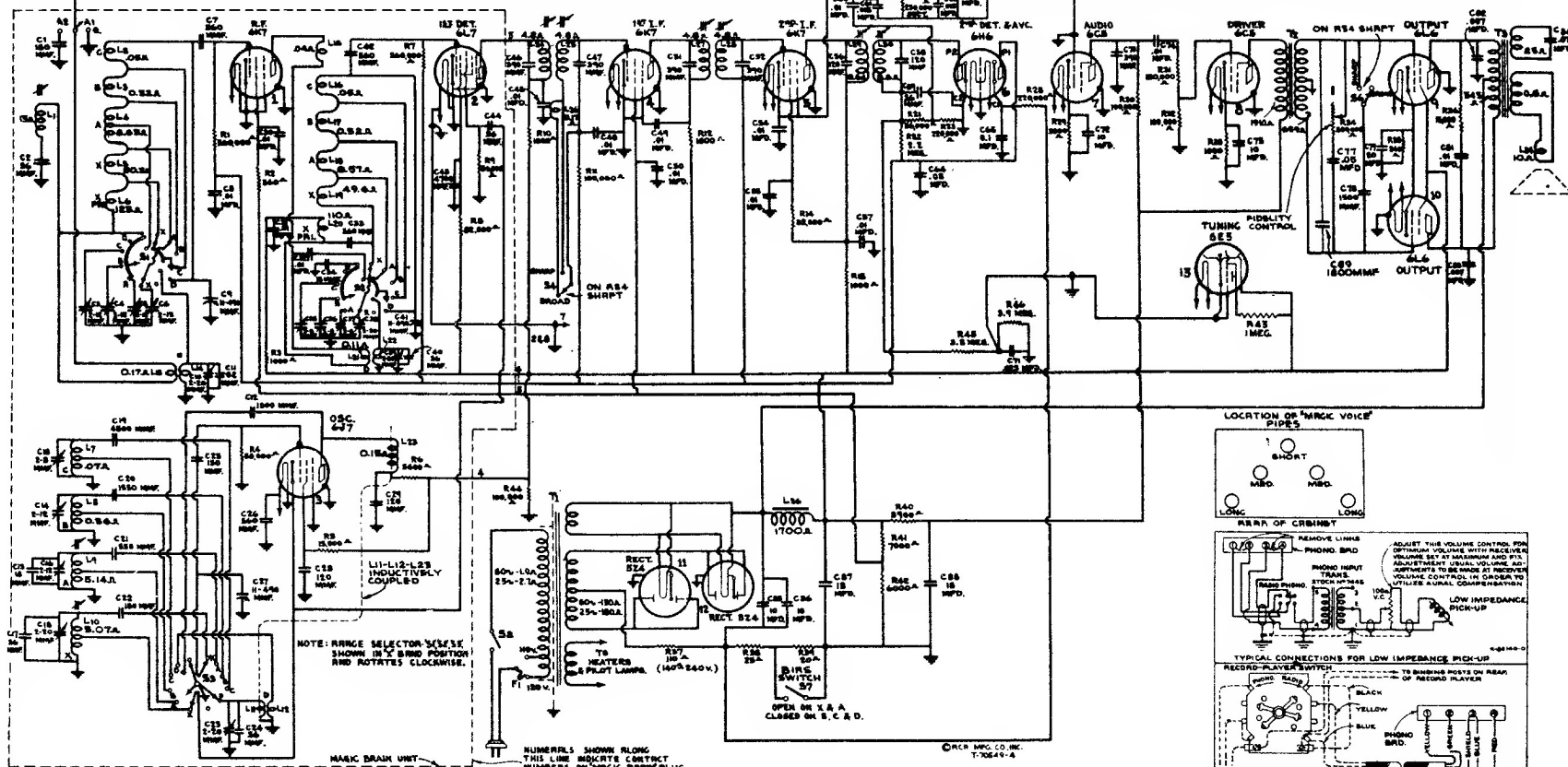


RCA VICTOR MODEL 13K



I.F. 460 KC.

SERVICE HINTS

- (1) Excessive heating of the 6E5 tube may be due to high cathode current — in excess of 7 ma. The tube should be replaced and the condition of the 5Z4 rectifier checked.
- (2) Low sensitivity or intermittent operation may be caused by C-43 or C-33 developing low-resistance leakage. Check both capacitors and replace if found defective.
- (3) Low sensitivity around 15—16 megacycles may be caused by dirty or poor contact of grounding contact finger on S-3.
- (4) Motorboating may be due to intermittent capacitor Stock No. 18025.