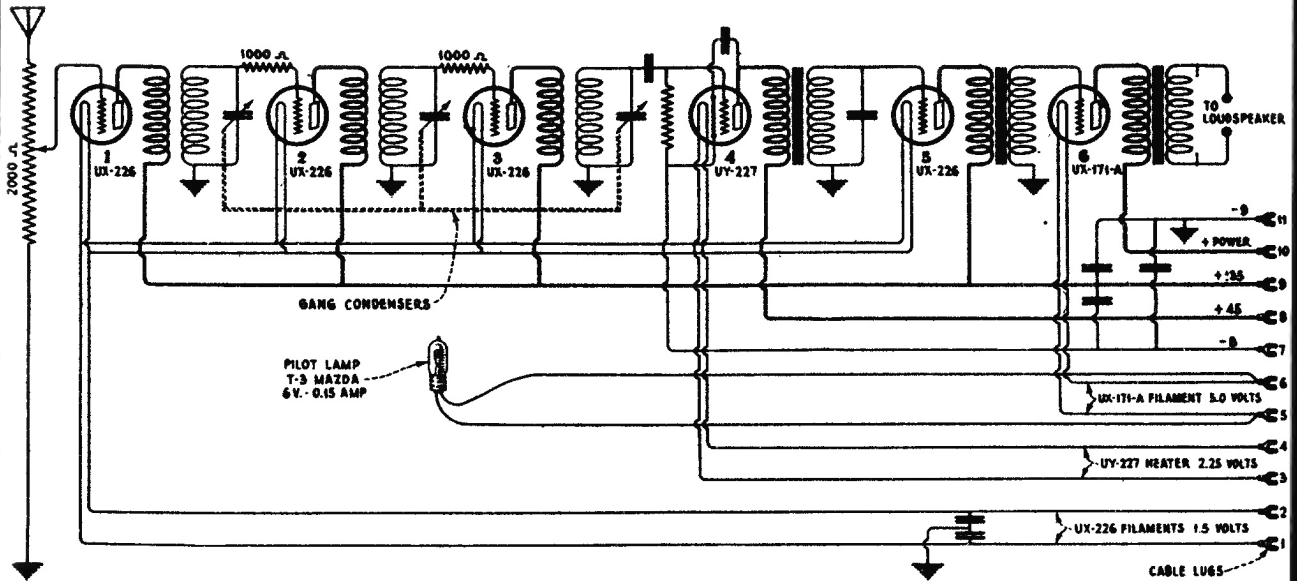


# RCA RADIOLA 17



*Schematic circuit diagram of receiver assembly.*

Indication	Cause	Remedy
No signals	Defective operating switch Loose volume control arm Defective power cable Defective R.F. transformer Defective A.F. transformer Defective By-pass condenser Defective socket power unit	Repair or replace switch Tighten volume control arm Replace power cable Replace R.F. transformer assembly Replace A.F. transformer assembly Replace By-pass condenser Check socket power unit by means of continuity test and make any repairs or replacements necessary

