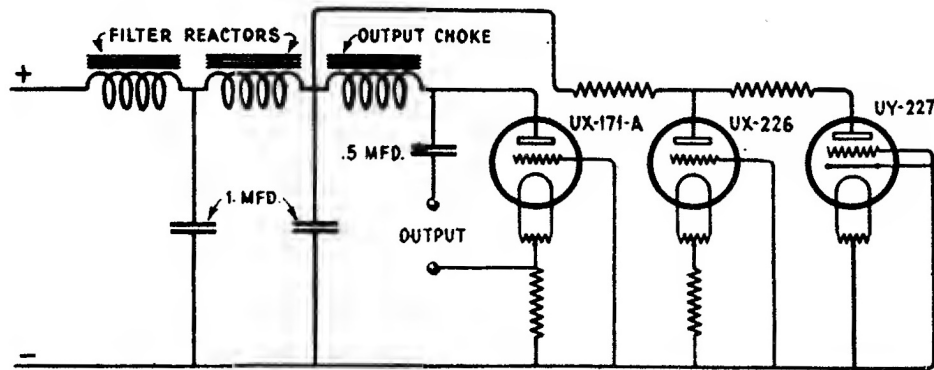
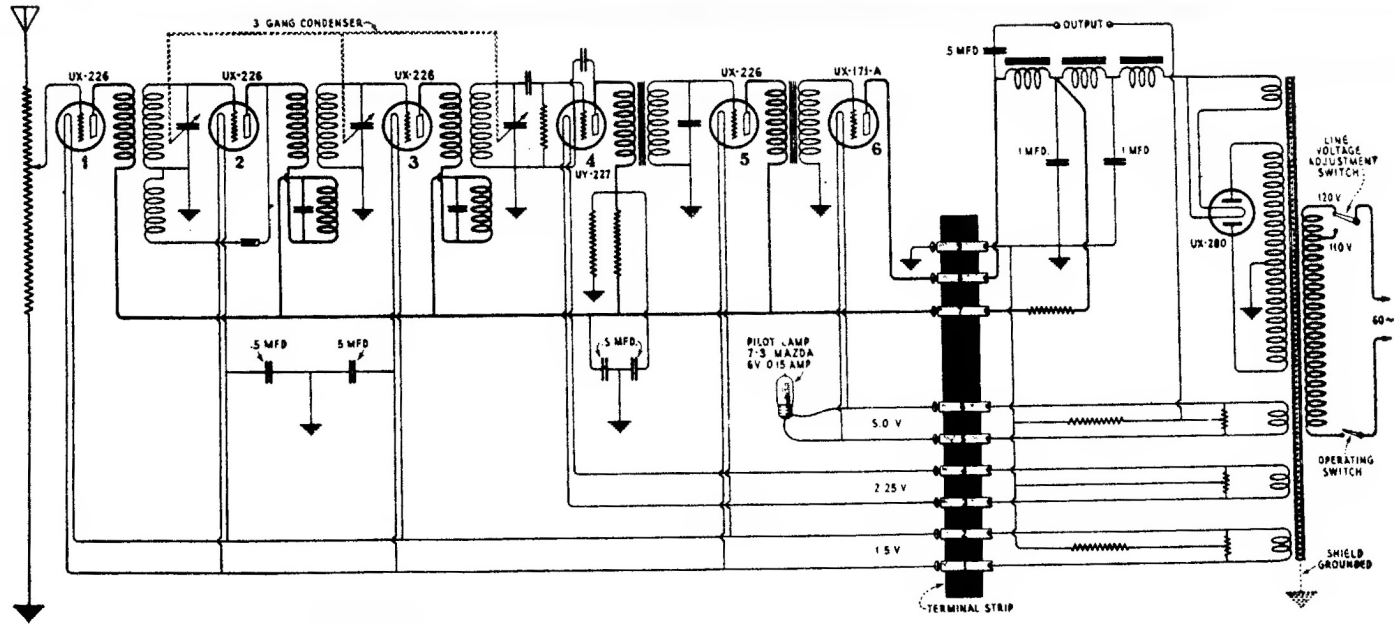
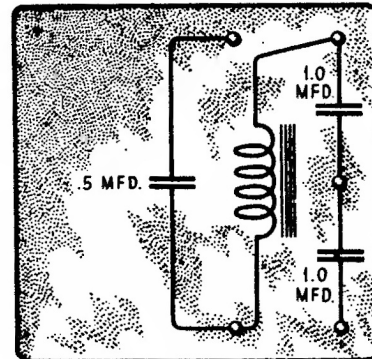


# RCA RADIOILA 18

(105-125 Volts, 50-60 Cycle A.C.)



*Schematic circuit illustrating method of obtaining grid and plate voltages.*



*Internal connections of condensers.*