

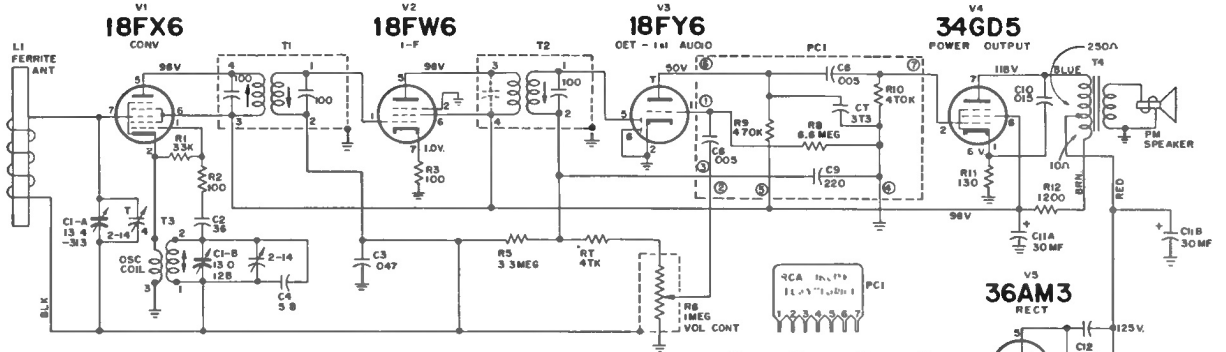
RCA

1-X-2 SERIES, 1-X-3 SERIES

Chassis No. RC-1202A, RC-1202B

1-X-4 SERIES

Chassis No. RC-1202C



RC-1202 B
1-X-3 SERIES

ALL RESISTANCE VALUES IN OHMS. ALL CAPACITANCE VALUES LESS THAN 1.0 IN MF. VALUES ABOVE 1.0 IN MMF UNLESS OTHERWISE INDICATED.

VOLTAGES MEASURED TO COMMON NEGATIVE (⊖) WITH "VOLTOHMYST" AND SHOULD HOLD WITHIN ±20% WITH 117 VOLT INPUT

RC-1202A
1-X-2 SERIES

OTHERWISE AS SHOWN ABOVE FOR RC-1202B

RC-1202C
1-X-4 SERIES

OTHERWISE AS SHOWN ABOVE FOR RC-1202B EXCEPT

- C1-A 15 15 2-39B
- C1-B 13 11 2-11B
- C1B 15 TO MF
- C12 15 NOT USED

* C12 USED IN 1-X-2 & 1-X-3
C13 USED IN 1-X-4
TWO POSITIONS SHOWN FOR R12

