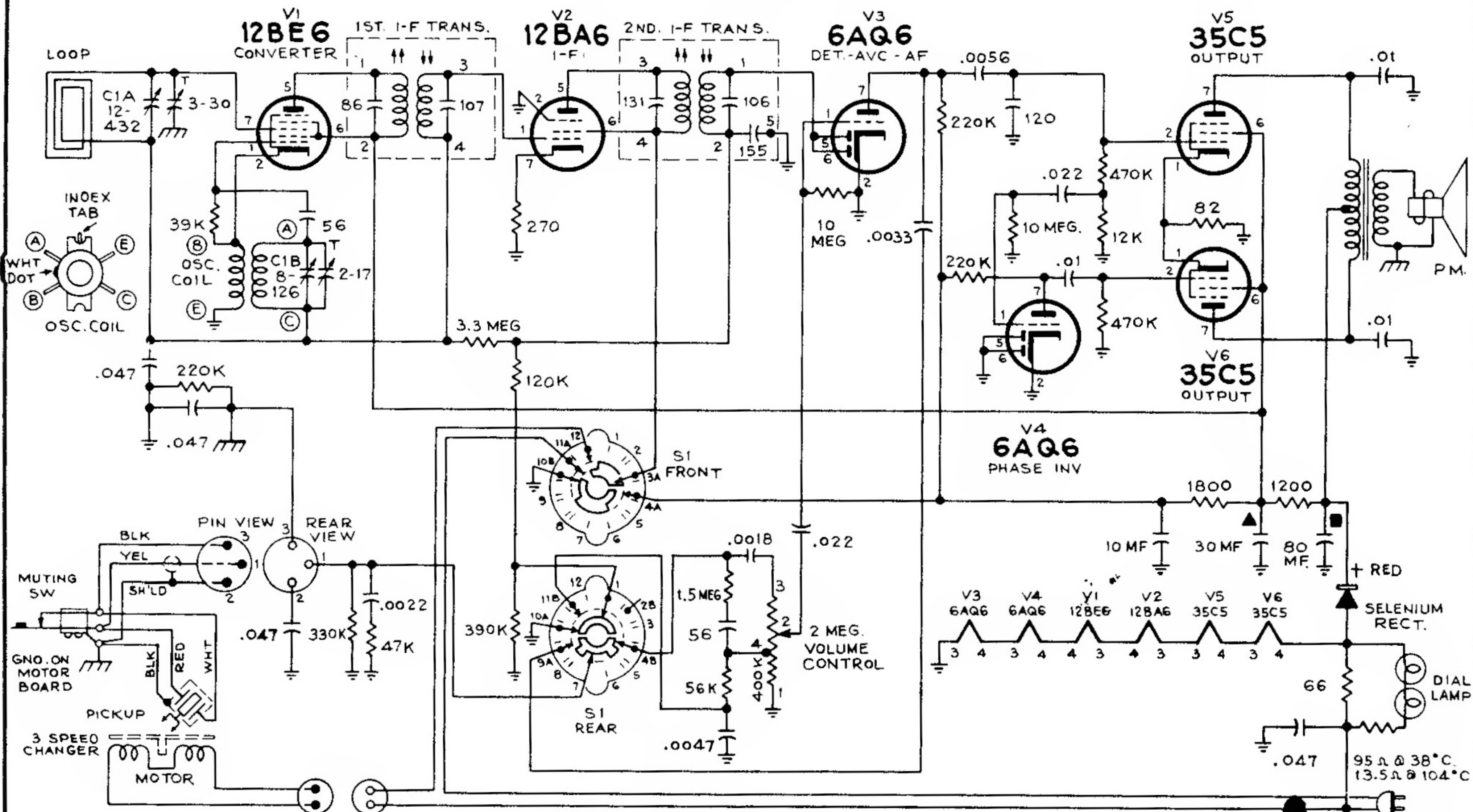


RCA VICTOR



MODEL 2US7

Chassis No. RC-1017A



FUNCTION SW. S1 VIEWED FROM FRONT, AND SHOWN IN POSITION NO. 1 (MAX. COUNTER CLOCKWISE).

- POS. 1 - OFF.
 2 - RADIO - MIN. HIGHS
 3 - " - NORMAL
 4 - " - MAX. HIGHS
 5 - PHONO - MIN. HIGHS
 6 - " - NORMAL
 7 - " - MAX. HIGHS

K = 1000
 RESISTANCES IN OHMS
 CAPACITANCES LESS THAN 1
 IN MF. AND ABOVE 1 IN MMF.
 UNLESS OTHERWISE NOTED.

Intermediate Frequency 455 kc

INDICATES CHASSIS GROUND.
 INDICATES COMMON WIRING INSULATED FROM CHASSIS.

117V. 60~ SUPPLY