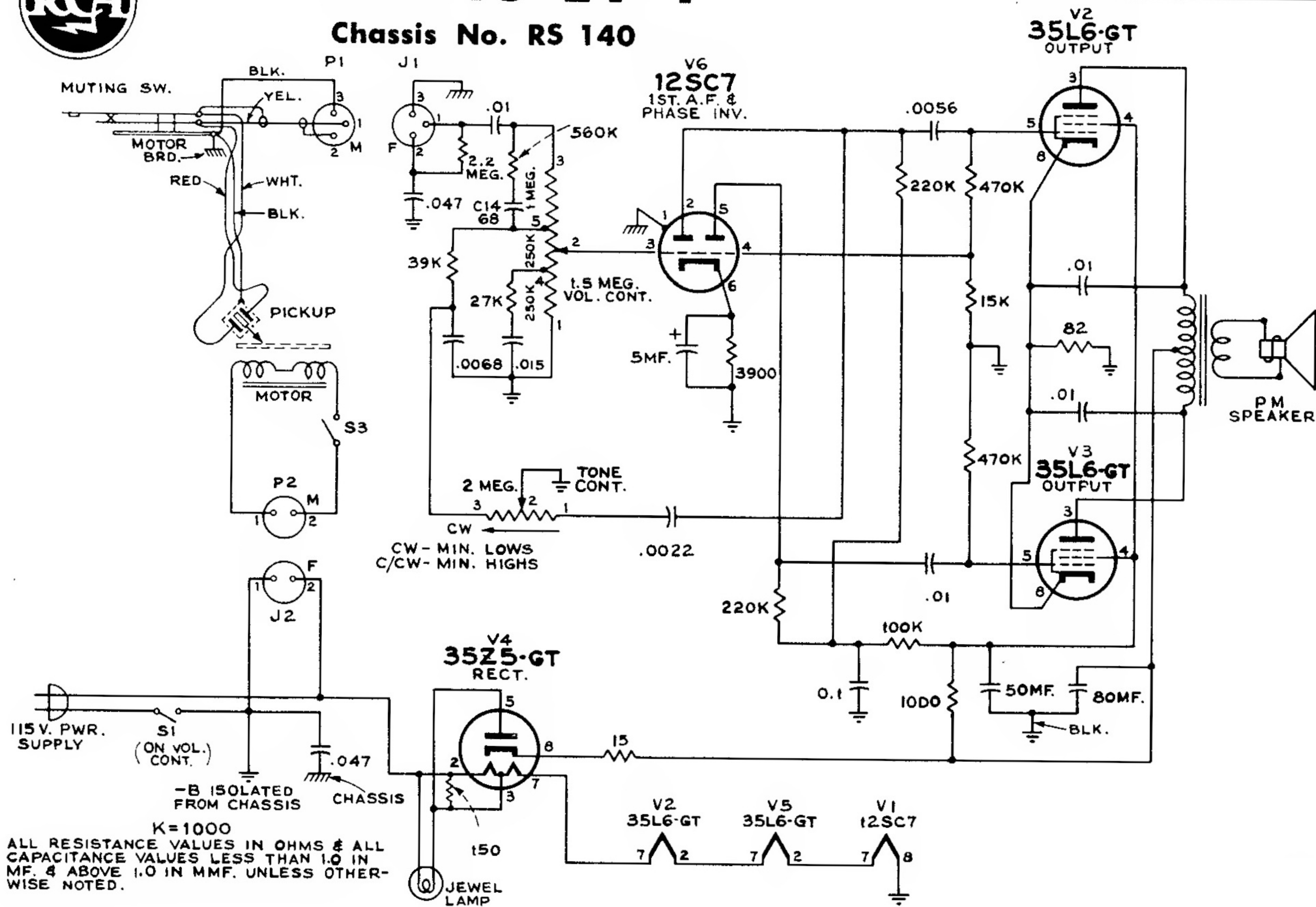




MODEL 45-EY-4

Chassis No. RS 140



K=1000
 ALL RESISTANCE VALUES IN OHMS & ALL CAPACITANCE VALUES LESS THAN 1.0 IN MF. & ABOVE 1.0 IN MMF. UNLESS OTHERWISE NOTED.