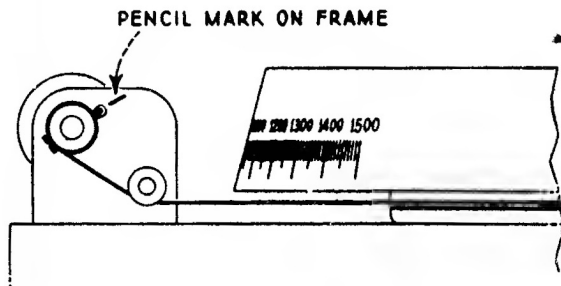
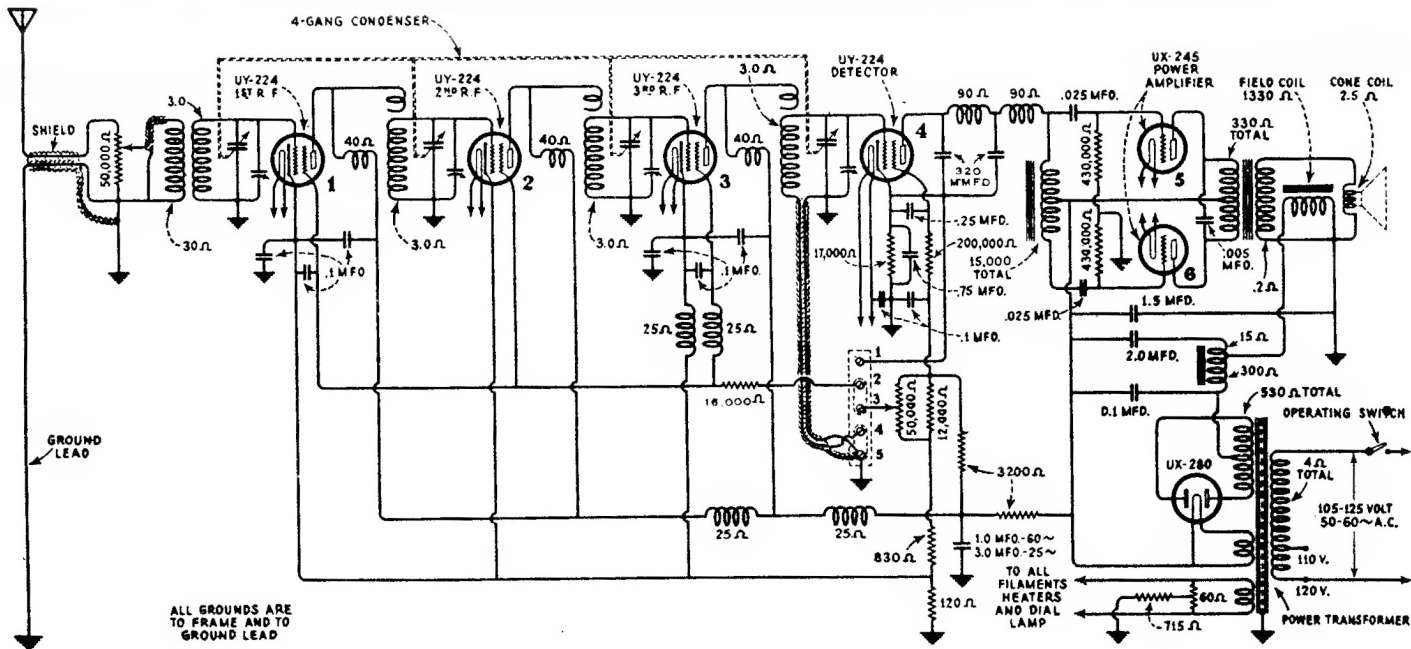
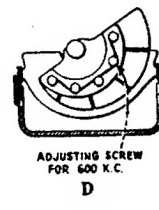
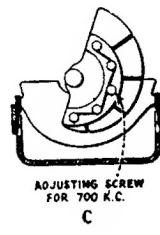
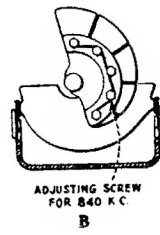
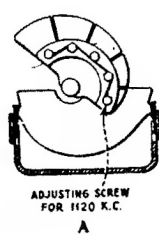


RCA RADIOILA 48



View showing method of checking position of dial.



Gang condenser adjustment positions.