

CONNECTIONS FOR ELECTRO-MAGNETIC SPEAKER

Steps	Connect high side of the test oscillator to—	Tune test osc. to—	Turn radio dial to—	Adjust the following for maximum peak output
1	Pin 58 of 125A7 in series with 0.1 mid.	455 kc	Quiet Point at 1,600 kc end of dial	C25, C26 2nd I-F trans.
2				C23, C24 1st I-F trans.
3		600 kc	600 kc "A" Band	C30 (osc.) Rock gang
4	Ant. terminal in series with 220 mmf.	1300 kc	1300 kc "A" Band	C28 (osc.) C20 R.F)
5		Repeat 3 Rocking gang		
6		Repeat 3, 4 and 5 for exact cal.		
7	Ant. terminal in series with 0.1 mid.	11.8 mc	11.8 mc	C29 (osc.)* Rock gang
8	Ant. terminal in series with 47 mmf.	11.8 mc	11.8 mc	C22 (R.F) Rock gang
9	Repeat steps 7 and 8			

\* Use minimum capacity peak if two can be obtained. Check for selection of correct peak by tuning receiver to approximately 10.9 mc where a weaker signal should be received.

# RCA VICTOR

## 56X5

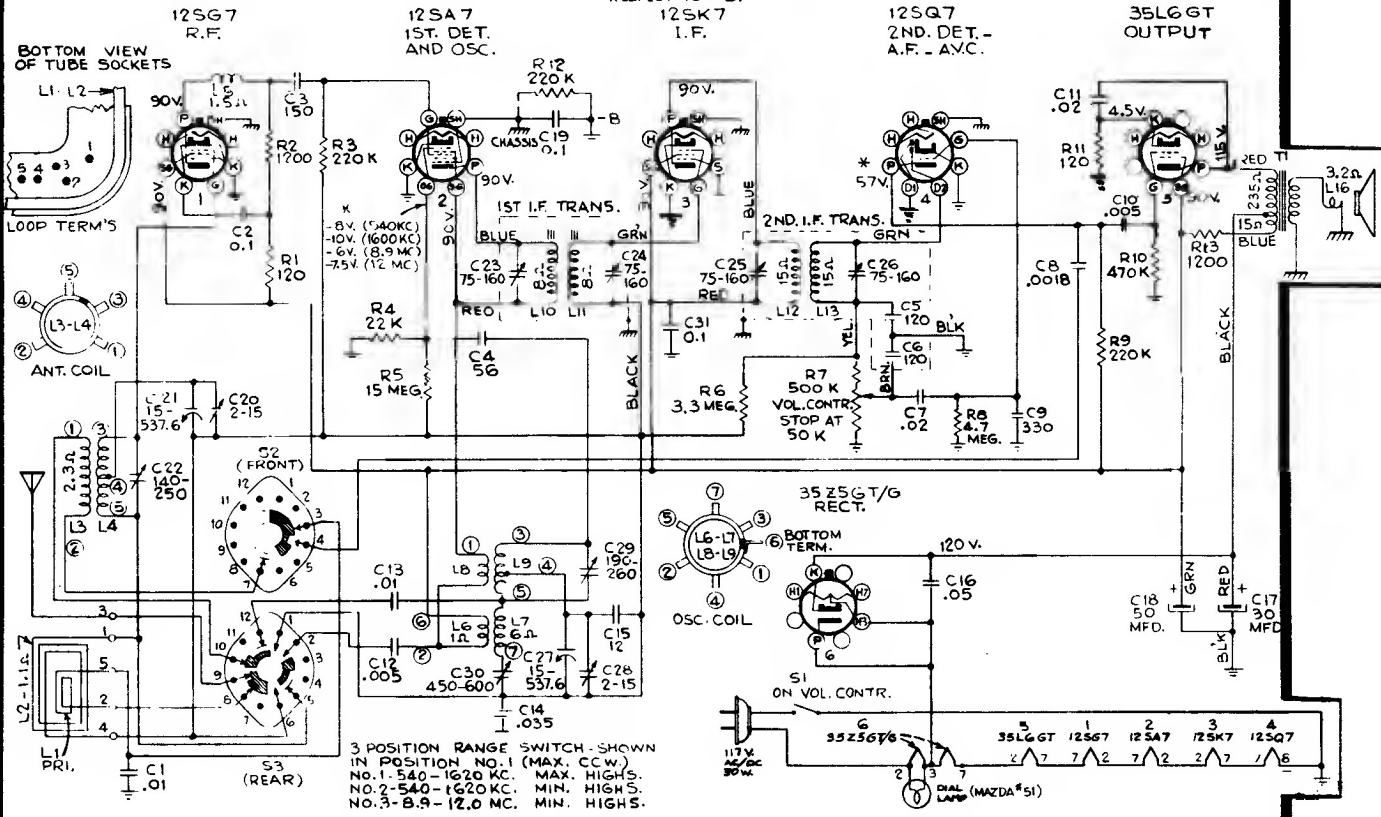
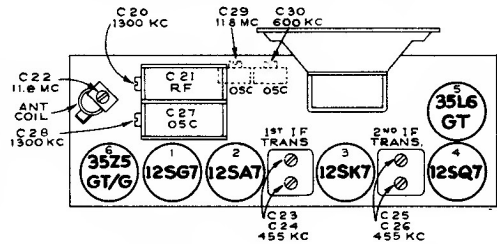
Chassis No. RC-1023—Mfr. No. 274

R.C.A. Victor  
Model 56X10  
and Radiola  
Models 61-5, 61-10  
are similar to  
Model 56X5.

CHASSIS GROUND  
INDICATES COMMON WIRING INSULATED FROM CHASSIS  
K=1000  
\* MEASURED WITH CHANNELYST OR VOLTHOMYST.

VOLTAGES SHOULD HOLD WITHIN ±20% WITH 117 VOLT A.C. SUPPLY.

ALL VOLTAGES ARE MEASURED WITH RESPECT TO -B.



3 POSITION RANGE SWITCH - SHOWN IN POSITION NO. 1 (MAX. CCW.)  
NO. 1 - 540-1620 KC. MAX. HIGHS.  
NO. 2 - 540-1620 KC. MIN. HIGHS.  
NO. 3 - 8.9-12.0 MC. MIN. HIGHS.