

66BX PORTABLE

Chassis No. RC-1040; RC-1040A

Alignment Procedure

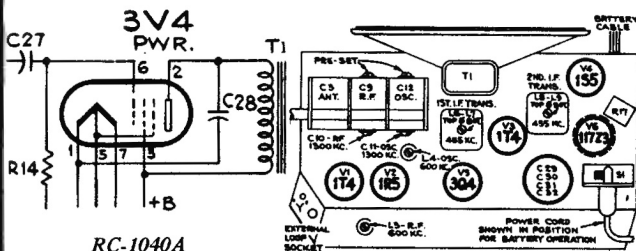
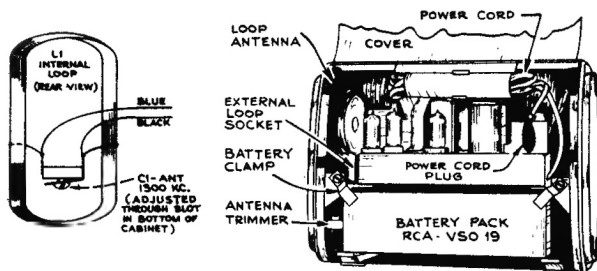
Cathode Ray Alignment is the preferable method. Connections for the oscilloscope are shown on the schematic diagram.

Output Meter Alignment.—If this method is used, connect the meter across the voice coil and turn the receiver volume control to maximum.

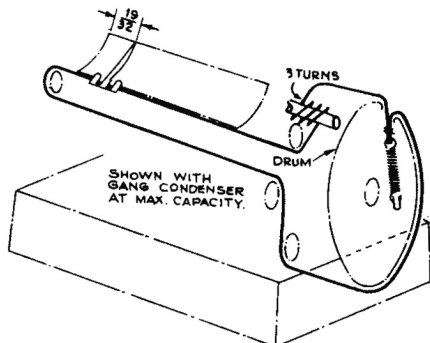
Test Oscillator.—For all alignment operations, connect the low side of the test oscillator to the receiver chassis and keep the oscillator output as low as possible to avoid AVC action.

Calibration Scale.—The calibrated dial scale is permanently connected to chassis. It can therefore be used directly as a reference for alignment.

With the gang at full mesh set the dial pointer so that the left hand edge of the pointer is $\frac{3}{4}$ inches to the right of the point indicated in the dial cord drawing.



RC-1040A



Steps	Connect the high side of test-oscillator to—	Tune test-osc. to—	Turn radio dial to—	Adjust the following for max. peak output
1	High side of loop (Blue lead) in series with 0.1 mfd.	455 kc	Gang at max. cap.	L8, L9 (2nd I.F. Trans.)* L6, L7 (1st I.F. Trans.)
2	High side of loop (Blue lead) in series with 0.1 mfd. (Bottom shield cover in place and chassis out of cabinet)	1300 kc	1300 kc	C11—(osc.) C10—(R.F.)
3		600 kc	600 kc	L4 (osc.) L3 (R.F.)
** 4	220 mmf. in series with a single turn loop 4x3 in., approx. 3 in. from receiver loop. (Chassis in cabinet C-1 connected and rear lid of cabinet closed)	1300 kc	1300 kc	C1 (loop)

*If two peaks are found with top slugs use the one with stud in the outer position.

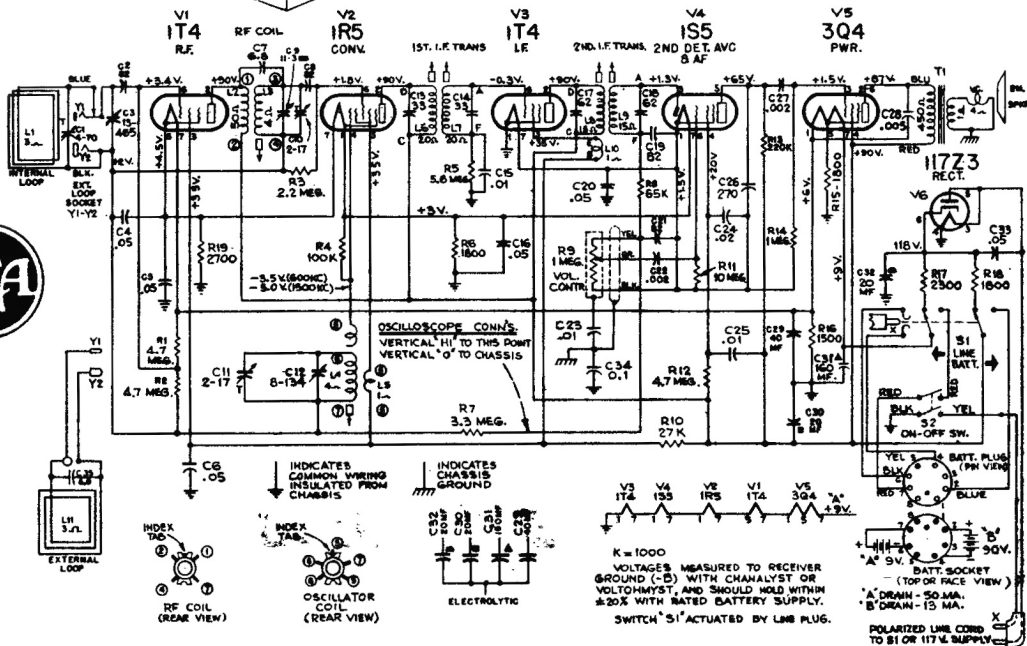
**Adjust C-1 loop cap with back cover of case closed. Access to trimmer is made through small slot in case provided for cable of external loop.

AC-DC Operation.—

This receiver will operate on 105 to 125 volts, AC 50 or 60 cycles, or DC.

A power cord is stored in the fiber tube which is clamped above the chassis inside the cabinet. To open the cabinet, slide the two plastic feet in the rear of the cabinet toward each other, and raise the back cover upward on its hinges. Then pull the power cord plug out of the socket on the top of the chassis as shown, and take out and unroll the power cord. A slot in the bottom of the cabinet allows the closing of the cabinet with the power cord passing through. Close the cabinet with the cord extending through the slot and insert the plug into a convenient electrical outlet.

When returning to battery operation, be sure to replace the power plug in its socket inside the case with the cord stored in the fiber tube.



K=1000
VOLTAGES MEASURED TO RECEIVER GROUND (-B) WITH CHANALYST OR VOLTCOHYST AND SHOULD HOLD WITHIN ±20% WITH BATED BATTERY SUPPLY.
SWITCH 'S1' ACTUATED BY LINE PLUG.

POLARIZED LINE CORD TO S1 OR I17-V SUPPLY.