

RCA VICTOR

Tuning Ranges

Standard Broadcast (AM)..... 540-1,600 kc.

Frequency Modulation (FM)..... 88-108 mc.

Intermediate Frequencies... AM—455 kc., FM—10.7 mc.

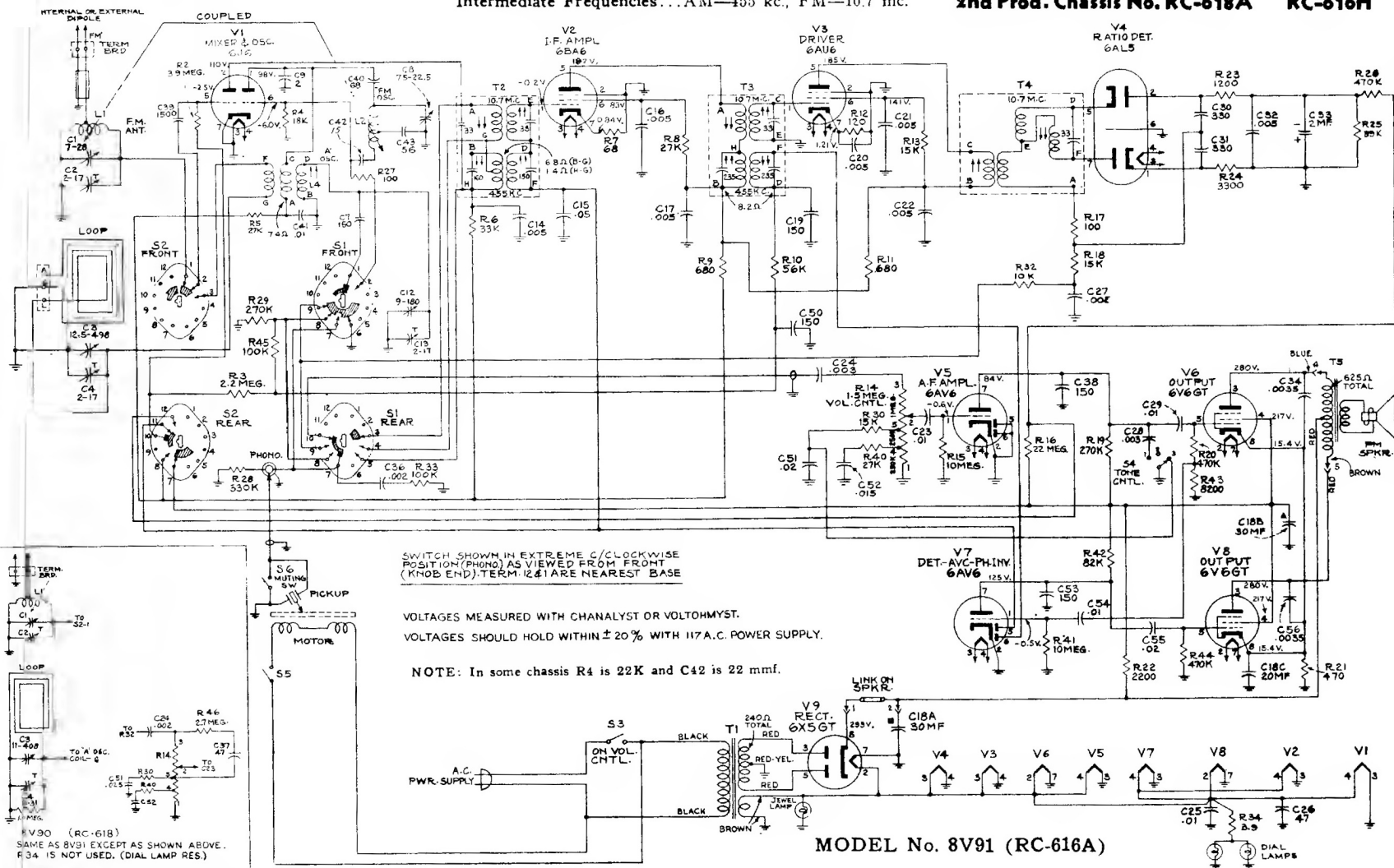
Models 8V90, 8V91

1st Prod. Chassis No. RC-618

RC-616A

2nd Prod. Chassis No. RC-618A

RC-616H



SWITCH SHOWN IN EXTREME C/CLOCKWISE POSITION (PHONO) AS VIEWED FROM FRONT (KNOB END). TERM. 12 & 1 ARE NEAREST BASE

VOLTAGES MEASURED WITH CHANALYST OR VOLTOHMYST.
VOLTAGES SHOULD HOLD WITHIN $\pm 20\%$ WITH 117 A.C. POWER SUPPLY.

NOTE: In some chassis R4 is 22K and C42 is 22 mmf.

8V90 (RC-618)
SAME AS 8V91 EXCEPT AS SHOWN ABOVE.
R34 IS NOT USED. (DIAL LAMP RES.)

NOTE—2nd I.F. Transformer:

Some chassis may use 2nd I.F. trans. stamped 970435-5 (Stock No. 74019), the 455 k.c. windings have a d.c. resistance of 12 ohms each, the resonating capacitors are 150 mmf. instead of 235 mmf. They are interchangeable with transformers stamped 970435-2 (Stock No. 73363).