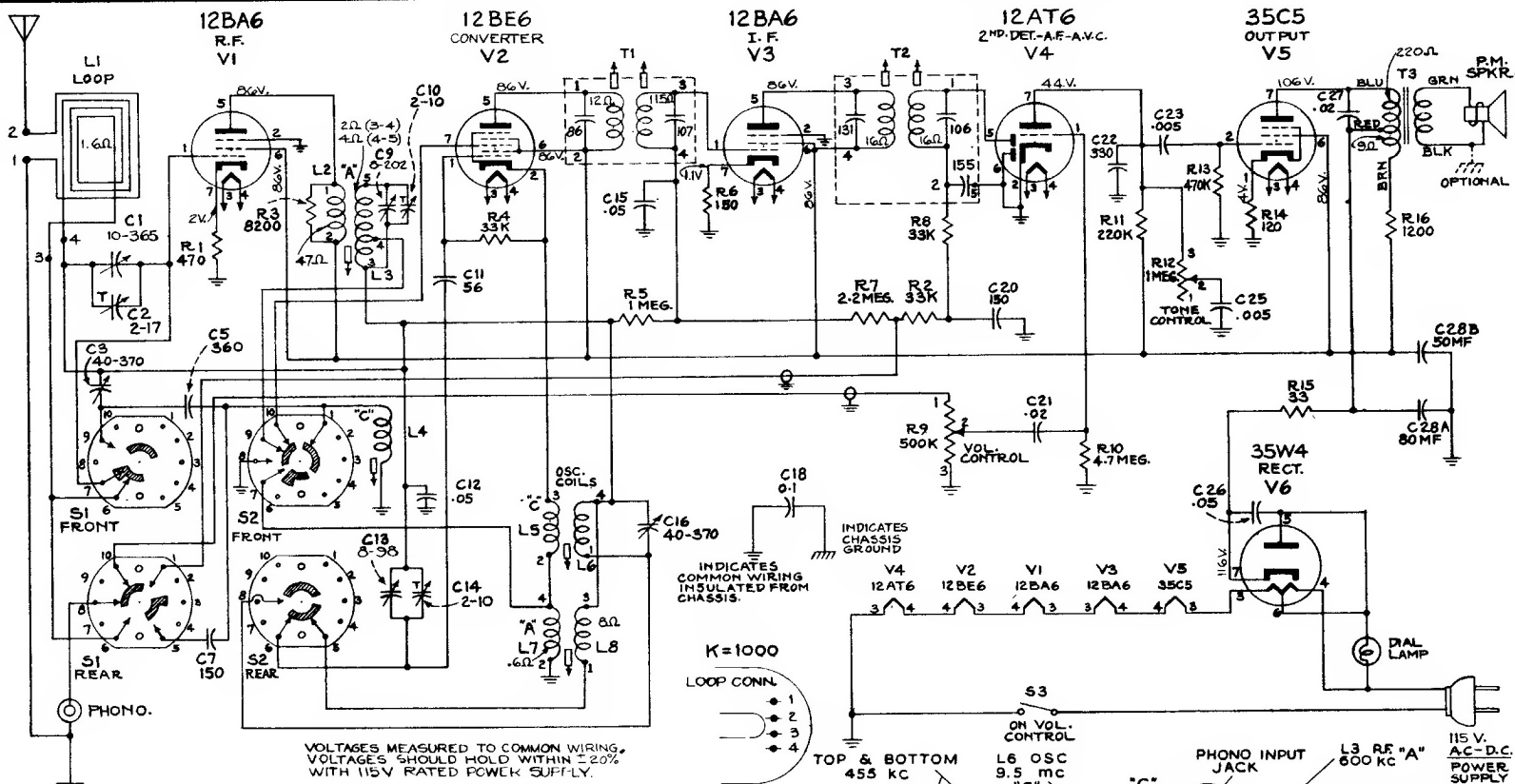




# RCA VICTOR

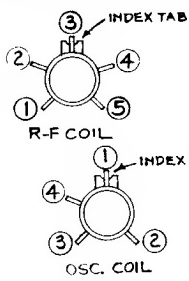
## MODELS 8X681, 8X682

Chassis No. RC-1061

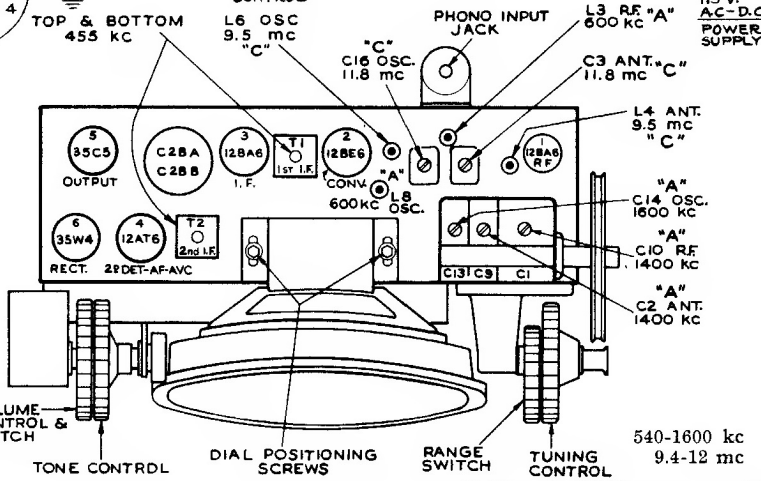
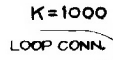
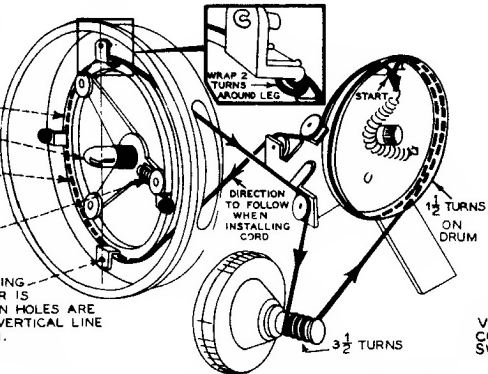


VOLTAGES MEASURED TO COMMON WIRING. VOLTAGES SHOULD HOLD WITHIN  $\pm 20\%$  WITH 115V RATED POWER SUPPLY.

RANGE SW. S1-S2 SHOWN IN MAX. C/CW (PHONO) POSITION 1. RADIO "A" BAND IS POSITION 2. RADIO "C" BAND IS POSITION 3.



UNDER CHASSIS VIEWS



TONE CONTRL DIAL POSITIONING SCREWS RANGE SWITCH TUNING CONTROL