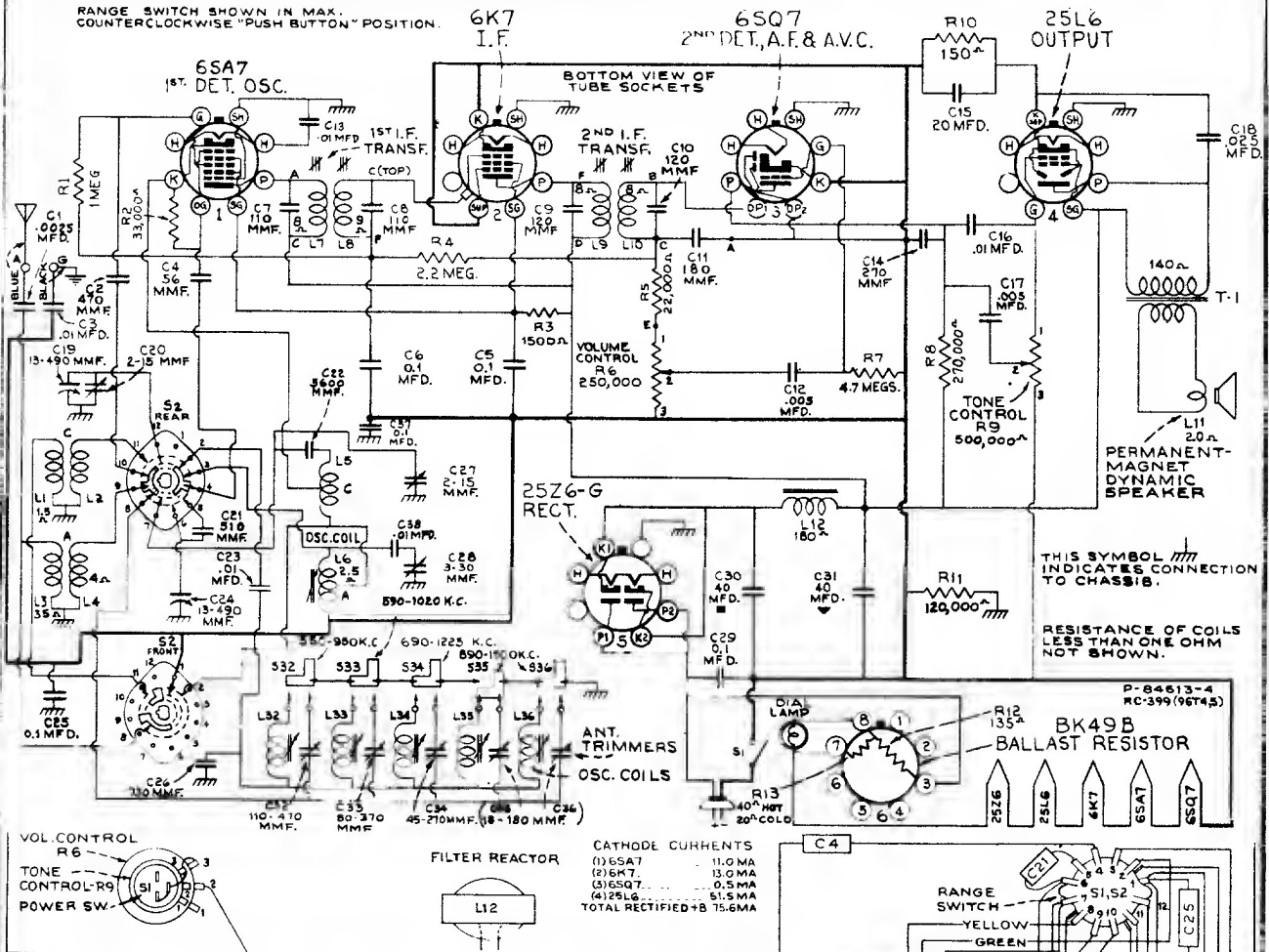
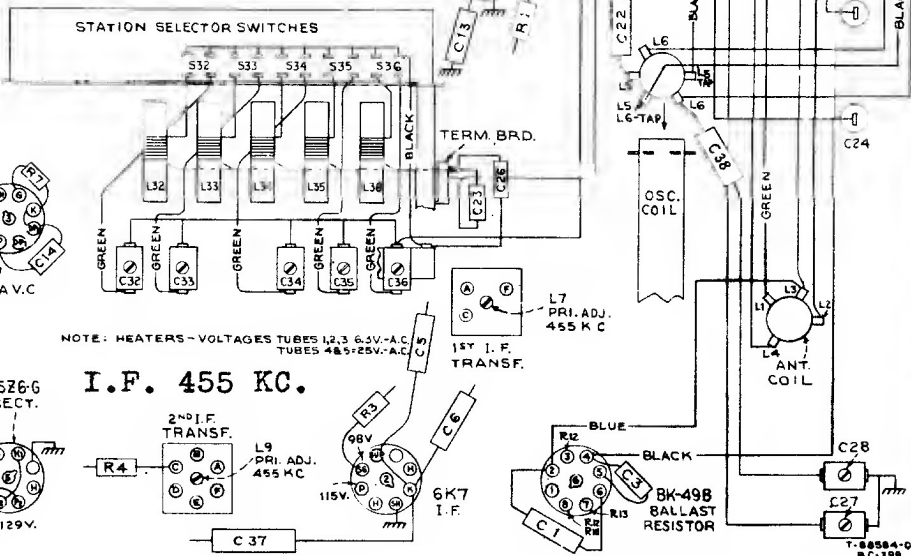


RANGE SWITCH SHOWN IN MAX. COUNTERCLOCKWISE "PUSH BUTTON" POSITION.



Measurements made to low-side of volume control unless otherwise indicated, with set tuned to quiet point and volume control at minimum. Values should hold within $\pm 20\%$ with 117 volt a-c supply.



Models 96T4, 96T5 and 96T6

T-8854-D RC-399