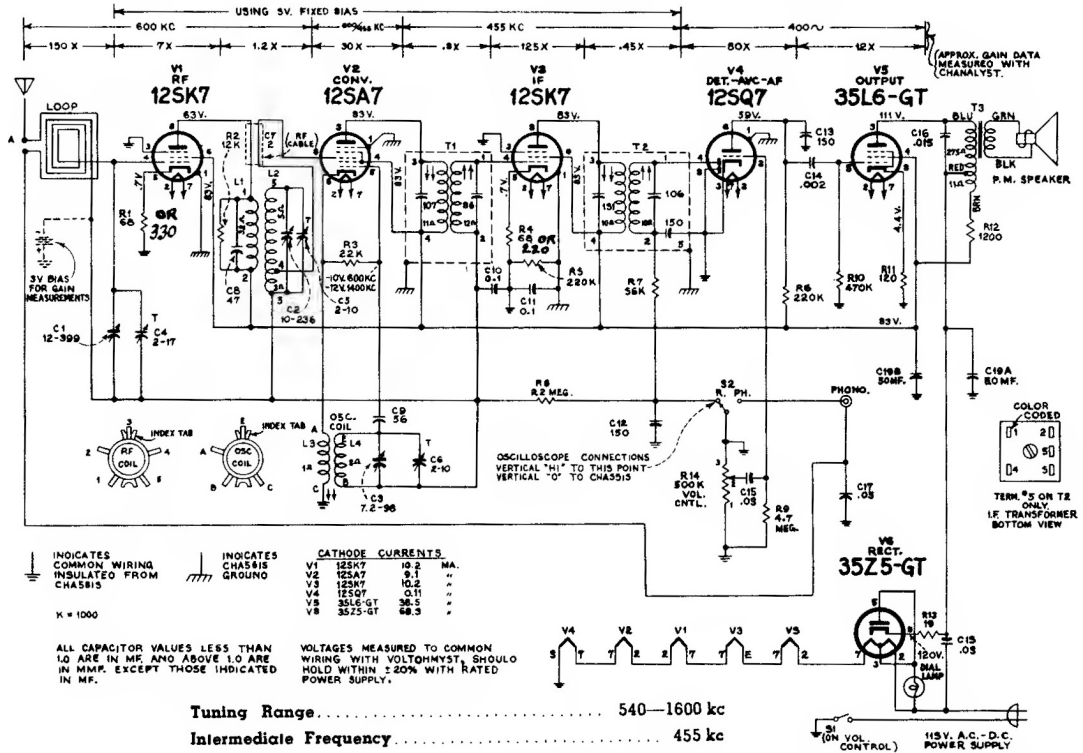


RCA VICTOR

MODELS 9X641, 9X642
Chassis No. RC-1080 RC-1080A



In some chassis an alternate filter capacitor is used which has three sections. The low voltage section (20 mf. 25 volts) is not used. The alternate capacitor is mounted on top of the chassis and is available as Stock No. 73975.

RCA VICTOR

MODELS 9X571, 9X572
Chassis No. RC-1079 RC-1079A

