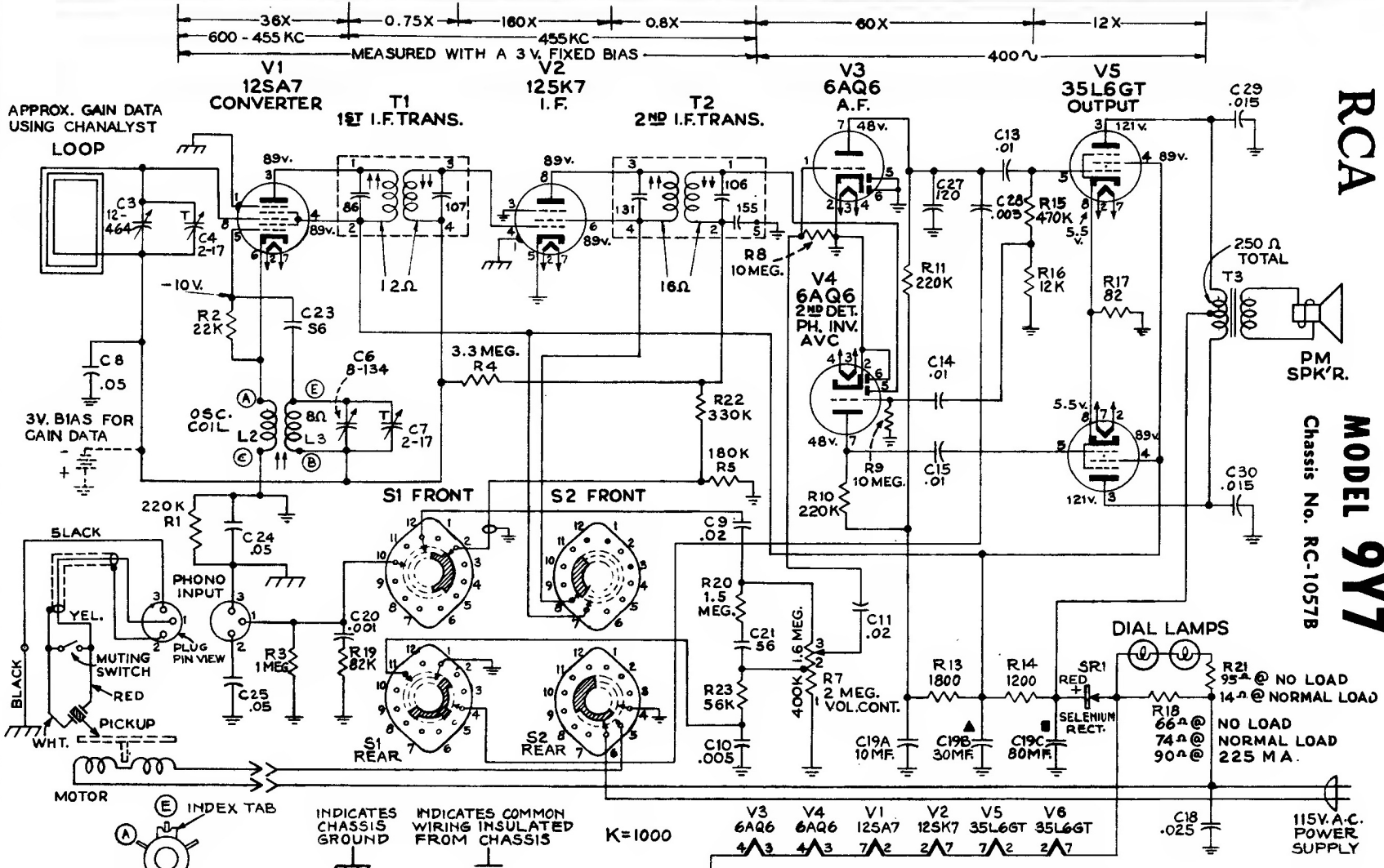


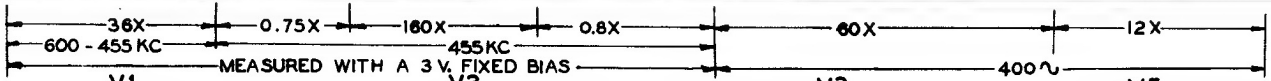
RCA

MODEL 9Y7

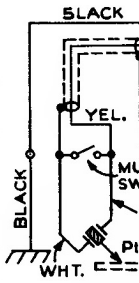
Chassis No. RC-1057B



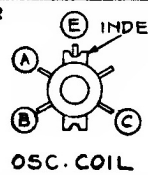
APPROX. GAIN DATA USING CHANALYST LOOP



3V. BIAS FOR GAIN DATA



MOTOR



POS.	FUNCTION	POS.	FUNCTION
2.	LOW	5.	LOW
3.	RADIO FULL	6.	PHONO FULL
4.	HIGH	7.	HIGH

INDICATES CHASSIS GROUND
INDICATES COMMON WIRING INSULATED FROM CHASSIS

SWITCH S1-S2 SHOWN IN OFF POSITION-(POS.1)-MAX. CLOCKWISE. (MAX. C/CLOCKWISE KNOB POSITION)

K=1000

V3	V4	V1	V2	V5	V6
6AQ6	6AQ6	12SA7	12SK7	35L6GT	35L6GT
4 3	4 3	7 2	2 7	7 2	2 7

VOLTAGES MEASURED TO COMMON WIRING WITH "VOLTOHMYST" - SHOULD HOLD WITHIN ± 20%

Tuning Range 540-1600 kc
Intermediate Frequency 455 kc