

# MODEL A-108

Chassis No. RC 1096

Record Changers 960284 (78/33 1/3 r.p.m.)  
 RP 168 or RP 190-2 (45 r.p.m.)

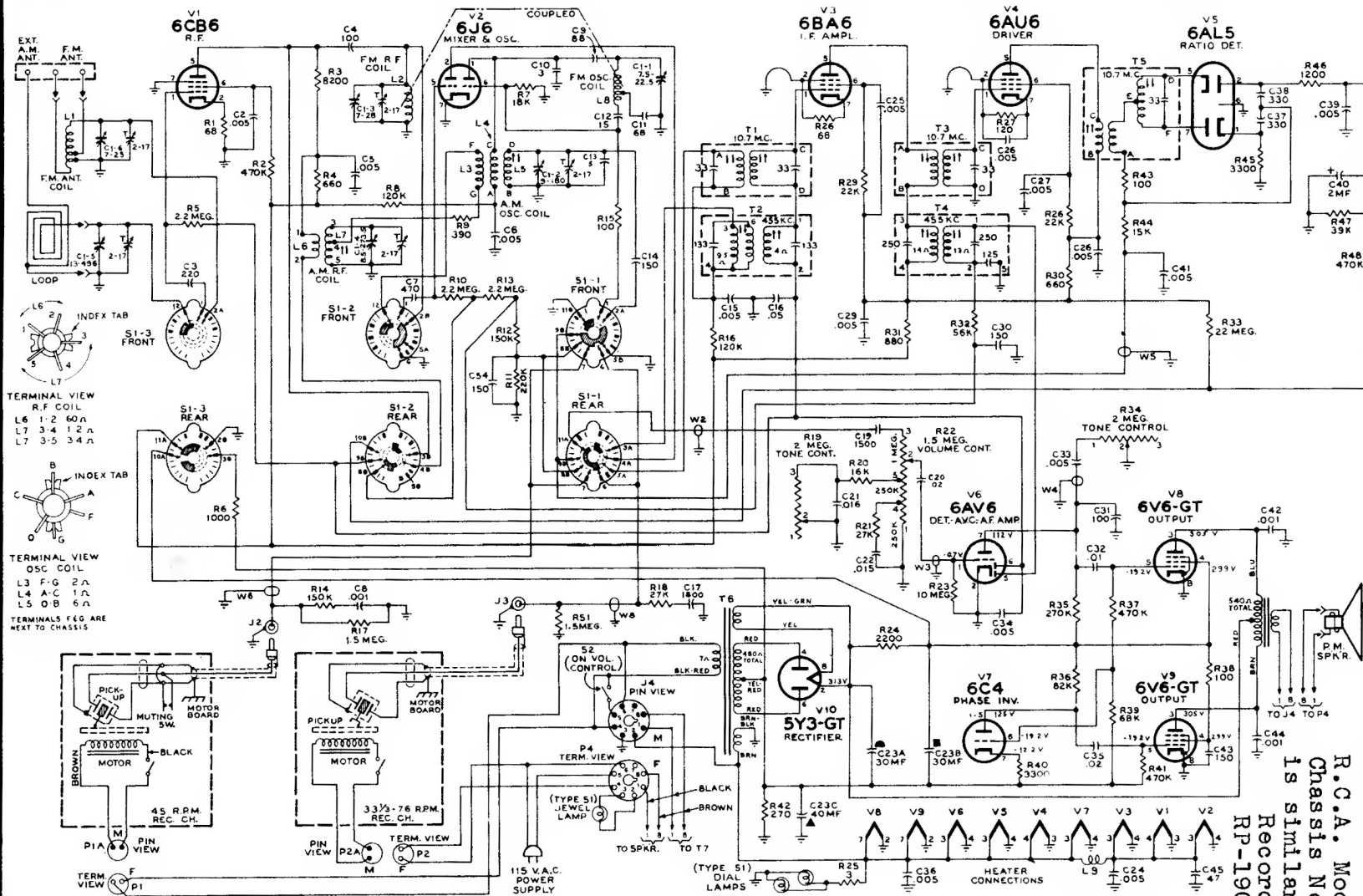


Record Changers 960282-4 or 5 (78/33 1/3 r.p.m.)  
 and RP 190-2 (45 r.p.m.)

# MODEL A-101

Chassis No. RC 1096

R.C.A. Model 45-W-10,  
 Chassis No. RC-1096A,  
 is similar, but uses  
 Record Changer  
 RP-190-2 (45 rpm)  
 only.



# RCA

- Standard Broadcast (AM) ..... 540-1,600 kc.
- Frequency Modulation (FM) ..... 88-108 mc.
- Intermediate Frequencies ..... AM—455 kc., FM—10.7 mc.

Function switch viewed from front and shown in "Phono 78/33" position (max. c/clockwise).  
 CAPACITOR VALUES LESS THAN 1 ARE IN MF., VALUES GREATER THAN 1 ARE IN MMF. UNLESS OTHERWISE SPECIFIED.  
 RESISTANCE VALUES IN OHMS. K = 1000.

VOLTAGES MEASURED TO CHASSIS WITH VOLTOHMYST WITH NO SIGNAL INPUT AND SHOULD HOLD WITHIN ±20% WITH 117-VOLT

The cathode neutralizing loops of V3 (6BA6) and V4 (6AU6) are insulated wires approx. 2 in. long. Do not alter length.