

RCA Victor MODELS BK-41 and BT-41

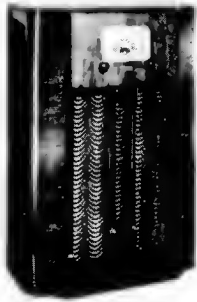
Cathode-ray Alignment is the preferable method. Connections for the oscillograph are as follows: Vertical "Hi" to E on the 2nd I-F transformer, Vertical "O" to chassis.

Output Meter Alignment.—If this method is used, connect the meter across the voice coil, and turn the receiver volume control to maximum.

Test-Oscillator.—For all alignment operations, connect the low side of the test-oscillator to the receiver chassis, and keep the output as low as possible to avoid a-v-c action.

For additional details, refer to booklet "RCA Victor Receiver Alignment."

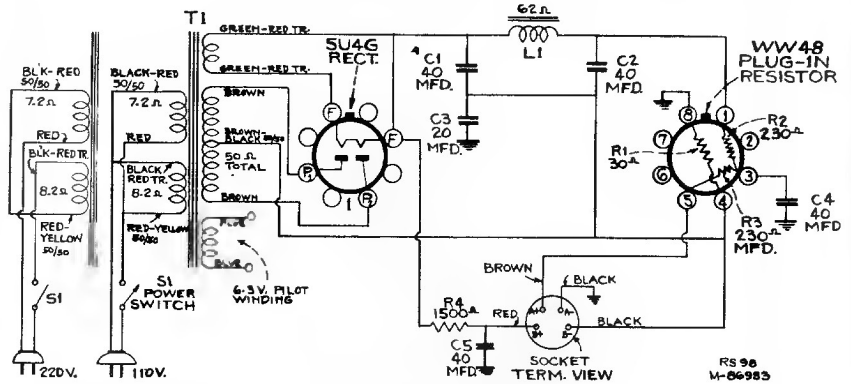
Pre-setting Dial.—With gang condenser in full mesh, the pointer should be horizontal.



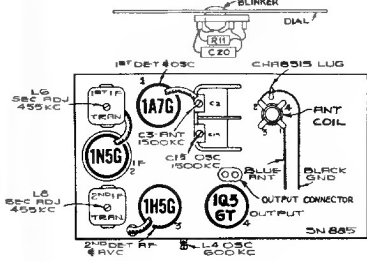
Model BK-41

Steps	Connect the high side of test-oscillator to—	Tune test-osc. to—	Turn radio dial to—	Adjust the following for max. peak output
No. 1	1N5-G I-F grid cap, in series with 0.01 mfd.	455 kc	Quiet point between 550-750 kc	L7 and L8 (2nd I-F transformer)
No. 2	1A7-G 1st-det. grid cap in series with 0.01 mfd.	455 kc		L5 and L6 (1st I-F transformer)
No. 3	Antenna lead, in series with 200 mmfd.	600 kc	600 kc	L4 (oscillator) L2 (antenna)
No. 4	Antenna lead, in series with 200 mmfd.	1,500 kc	1,500 kc	C15† (oscillator) C3 (antenna)

† Trimmer C16 on gang condenser should be unscrewed one complete turn from tight, before adjusting C15.

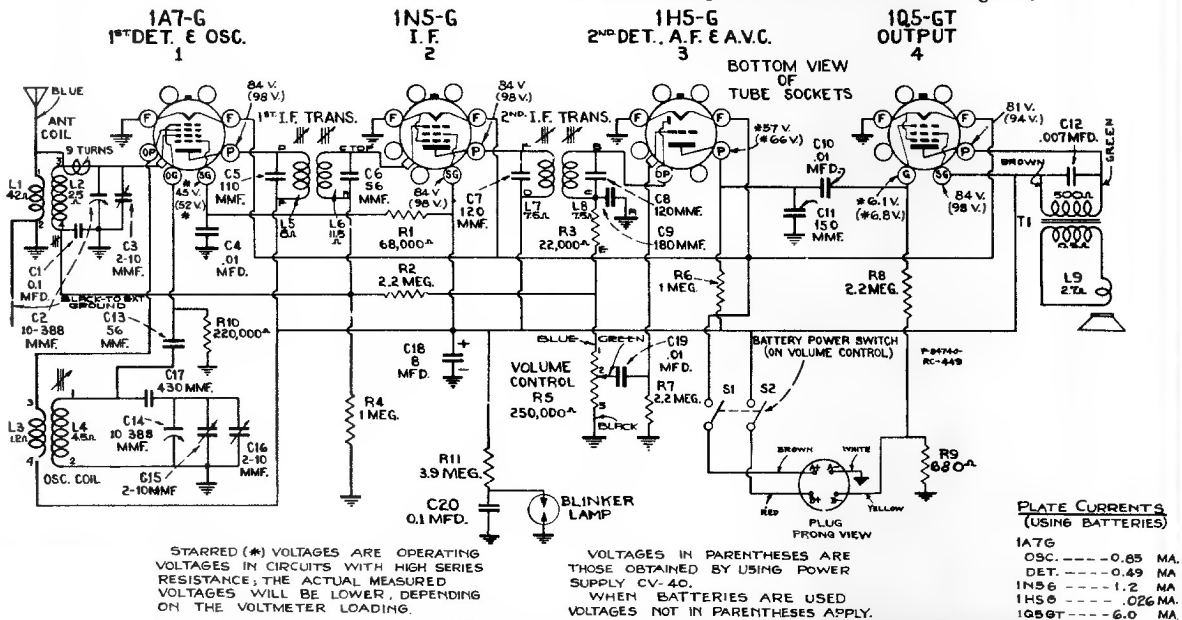


Schematic Diagram—Model CV-40



Precautionary Lead Dress

1. Red lead from second i-f transformer to screen terminal of 1N5-G must be dressed close to and along edge of chassis.
2. Twisted green wire from antenna coil to gang must be 9 turns and kept clear of rotor.
3. Blue and green leads to volume control must be dressed close to chassis and between gang and front apron.
4. The opening in the shield of the 1N5-G should be turned away from the chassis and the i-f transformers.
5. Antenna and ground wires should be twisted together.



STARRED (*) VOLTAGES ARE OPERATING VOLTAGES IN CIRCUITS WITH HIGH SERIES RESISTANCE; THE ACTUAL MEASURED VOLTAGES WILL BE LOWER, DEPENDING ON THE VOLTMETER LOADING.

VOLTAGES IN PARENTHESES ARE THOSE OBTAINED BY USING POWER SUPPLY CV-40. WHEN BATTERIES ARE USED VOLTAGES NOT IN PARENTHESES APPLY.

PLATE CURRENTS (USING BATTERIES)

1A7G	---0.85 MA.
OSC.	---0.49 MA.
1N5G	---1.2 MA.
1H5G	---0.26 MA.
1Q5GT	---6.0 MA.