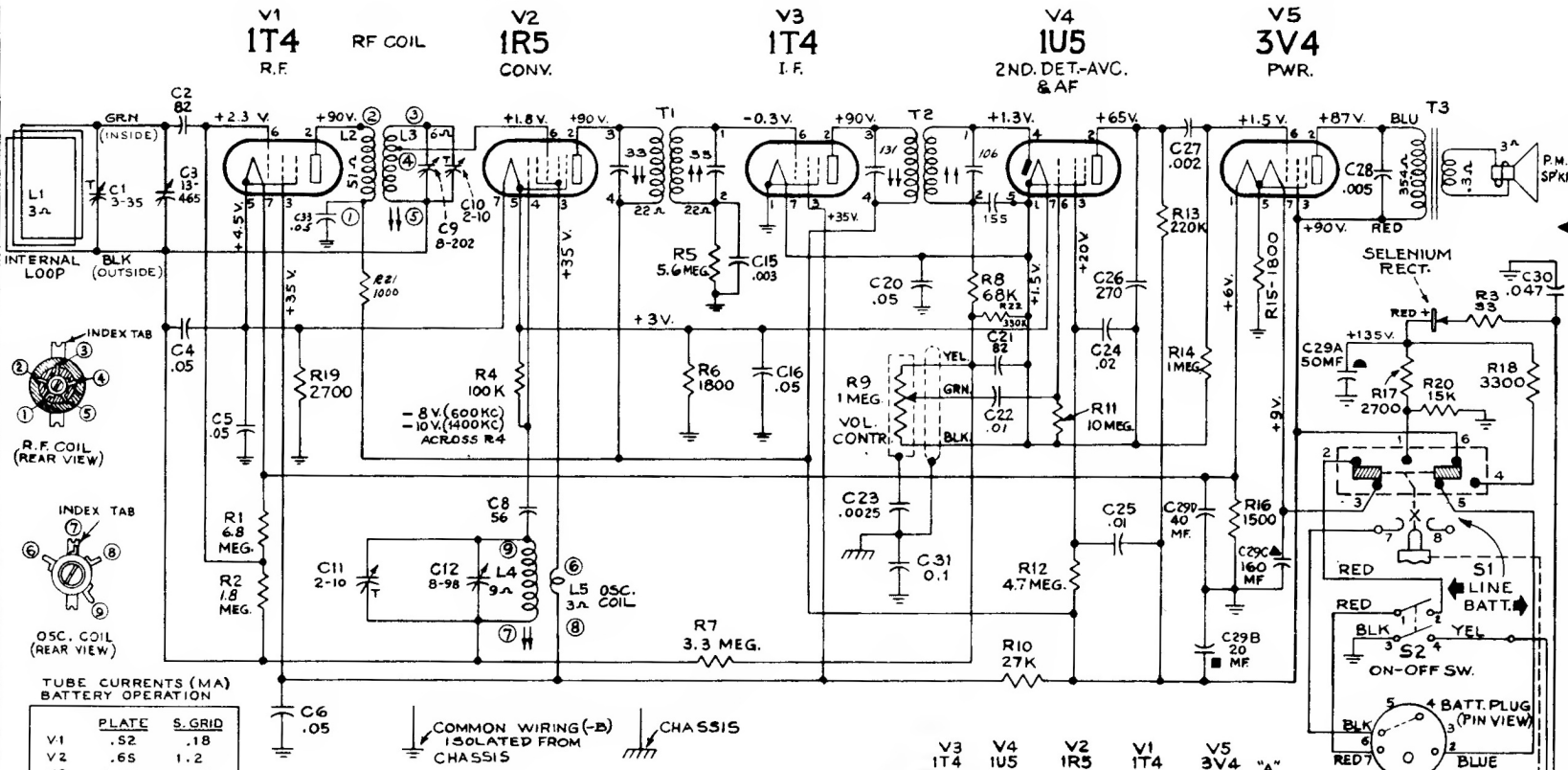


# RCA VICTOR MODEL BX6

Chassis No. RC-1082



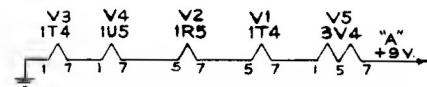
TUBE CURRENTS (MA) BATTERY OPERATION

	PLATE	S.GRID
V1	.52	.18
V2	.65	1.2
V3	1.07	.49
V4	.08	.013
V5	5.8	1.35

CURRENTS SLIGHTLY HIGHER ON A.C. OPERATION

COMMON WIRING (-B) ISOLATED FROM CHASSIS

K=1000  
ALL CAPACITOR VALUES LESS THAN 1.0 ARE IN MF. & ABOVE 1.0 ARE IN MMF. EXCEPT THOSE INDICATED.

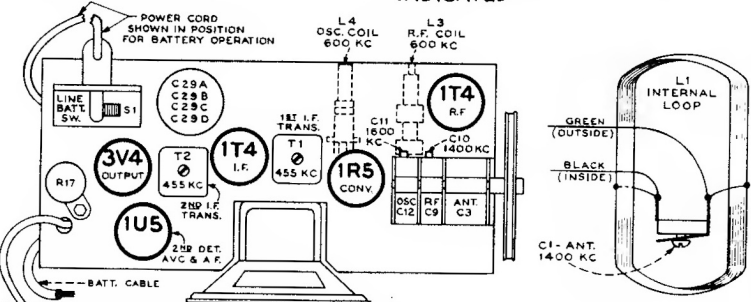


VOLTAGES MEASURED TO RECEIVER GROUND (-B) WITH CHANALYST OR VOLTOHMYST, AND SHOULD HOLD WITHIN ±20% WITH RATED BATTERY SUPPLY.  
SWITCH "S1" ACTUATED BY LINE PLUG



"A" DRAIN - 50 MA.  
"B" DRAIN - 13 MA.

POLARIZED LINE CORD TO S1 OR 115 V. SUPPLY



Tube and Trimmer Locations

