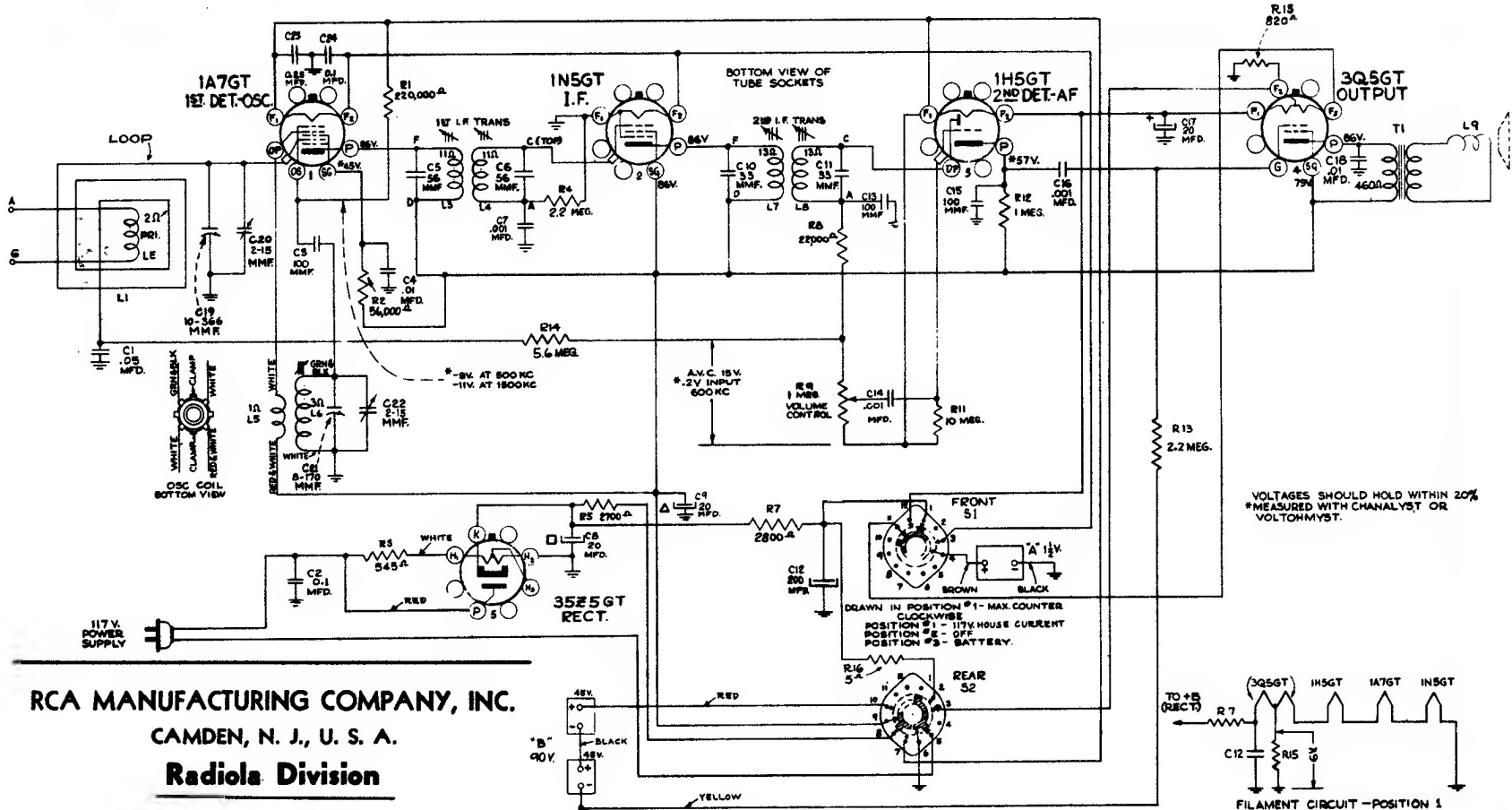
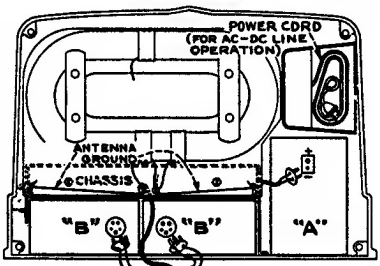


12X (600KC) ANT. TO GRID CONVERSION GAIN 600 TO 455 KC
 4X (AVC WORKING) 19X (AVC GROUNDED) 1X 455 KC 80X (455 KC) 2X (455 KC) 19X (400 ~) 14X (400 ~) APPROX. GAIN DATA USING RCA RIDER CHANNELYST



RCA MANUFACTURING COMPANY, INC.
 CAMDEN, N. J., U. S. A.
Radiola Division



ONE 1.5V. "A" - EVEREADY No. 743 OR EQUAL.
 TWO 45V. "B" - EVEREADY No. 482 OR EQUAL.

Model R-5 Portable

