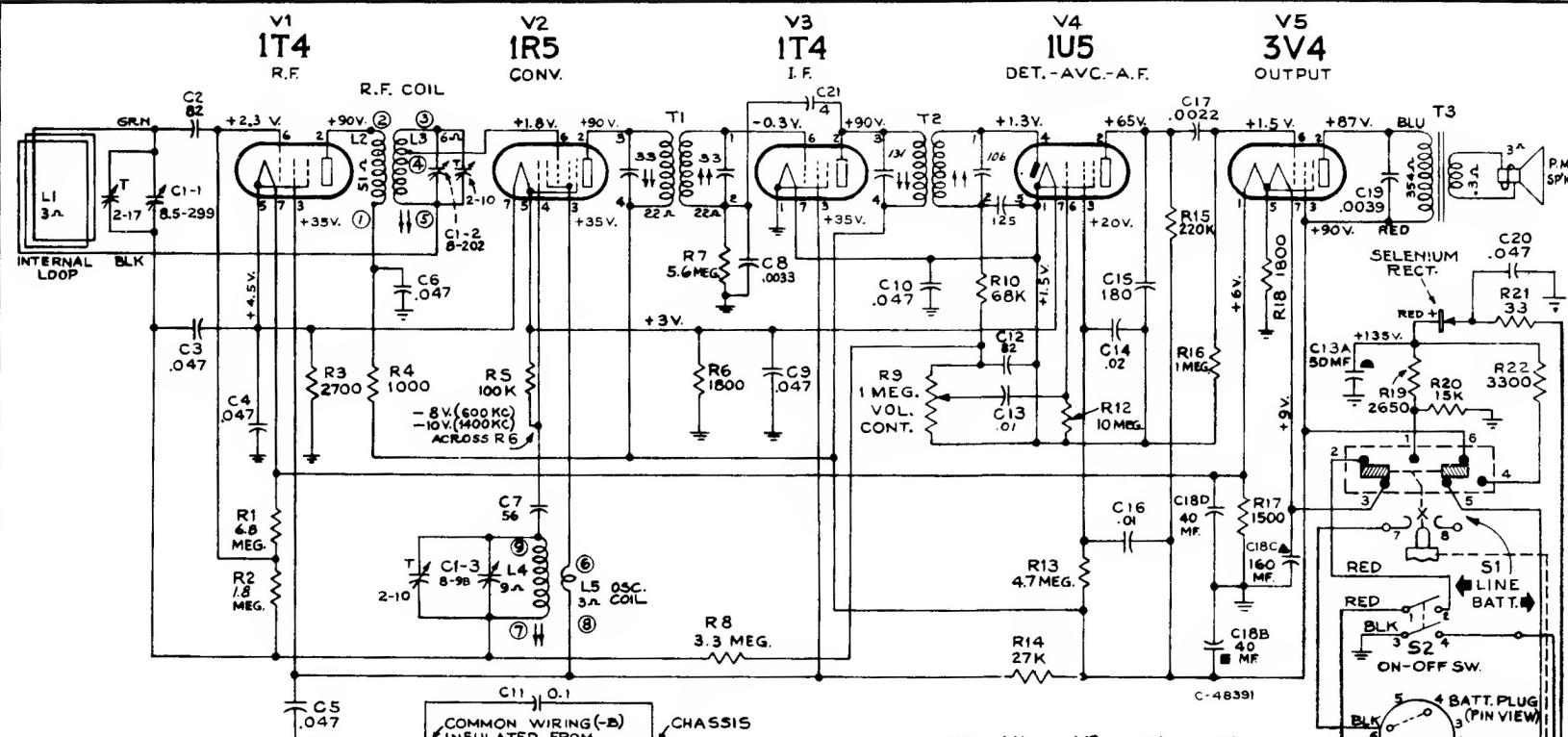




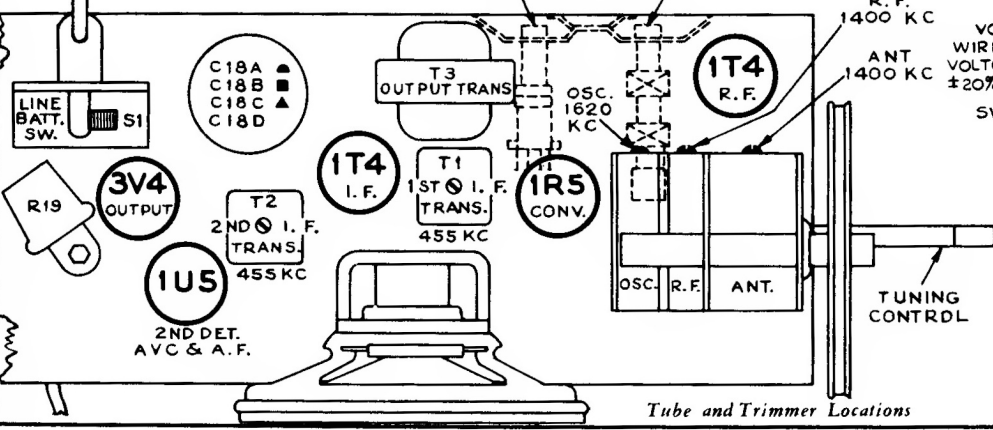
RCA VICTOR

MODEL PX 600

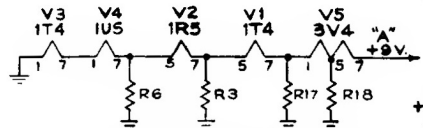
Chassis No. RC-1110



POWER CORD SHOWN IN POSITION FOR BATTERY OPERATION

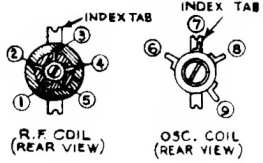


Tube and Trimmer Locations



VOLTAGES MEASURED TO COMMON WIRING (-B) WITH CHANALYST OR VOLTOHMYST AND SHOULD HOLD WITHIN ±20% WITH RATED BATTERY SUPPLY.  
SWITCH \* S1 ACTUATED BY LINE PLUG

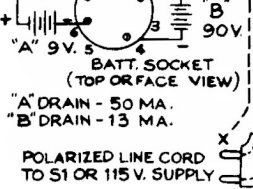
K=1000  
ALL CAPACITOR VALUES LESS THAN 1.0 ARE IN MF. & ABOVE 1.0 ARE IN MMF. EXCEPT THOSE INDICATED.



TUBE CURRENTS (MA) BATTERY OPERATION

TUBE	PLATE	S. GRID
V1	.52	.18
V2	.65	1.2
V3	1.07	.49
V4	.08	.013
V5	5.8	1.35

CURRENTS SLIGHTLY HIGHER ON A.C. OPERATION



"A" DRAIN - 50 MA.  
"B" DRAIN - 13 MA.