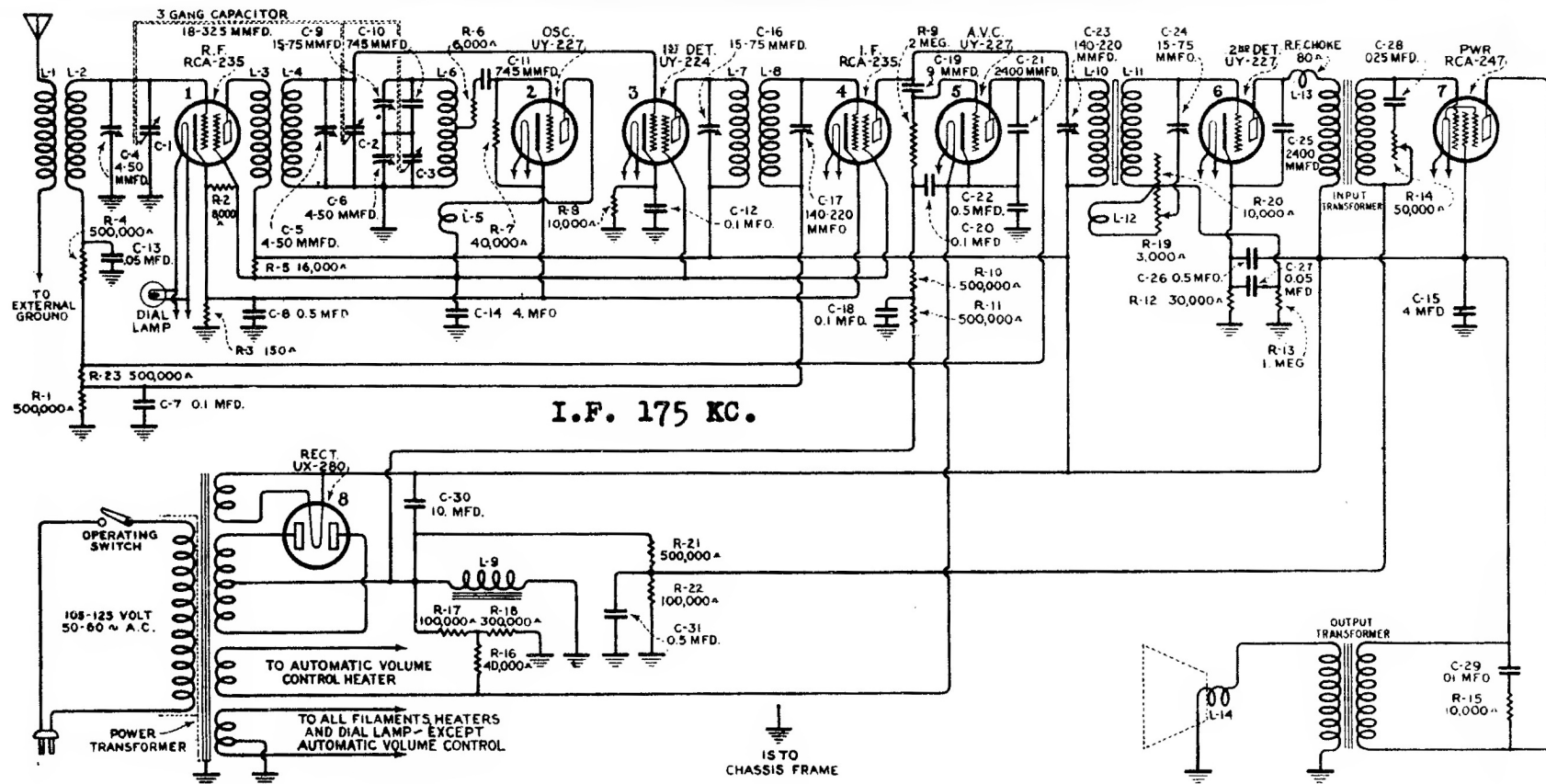


RCA Models R-8, R-12 AC



Radiotron No.	Cathode to Heater Volts, D. C.	Cathode or Filament to Control Grid Volts, D. C.	Cathode or Filament to Screen Grid Volts, D. C.	Cathode or Filament to Plate Volts, D. C.	Plate Current M. A.	Screen Current M. A.	Heater or Filament Volts, A. C.
1. R. F.	4.0	0.5	70	260	4.0	0.5	2.66
2. Osc.	4.0	0	—	65	6.0	—	2.66
3. 1st Det.	7.0	6.0	70	260	0.75	0.1	2.66
4. I. F.	4.0	4.0	70	260	4.0	0.5	2.66
5. 2nd Det.	28.0	10.0	—	250	1.0	—	2.66
6. A. V. C.	0	0	—	25	0	—	2.66
7. Power	—	10.0	290	280	35.0	—	2.66