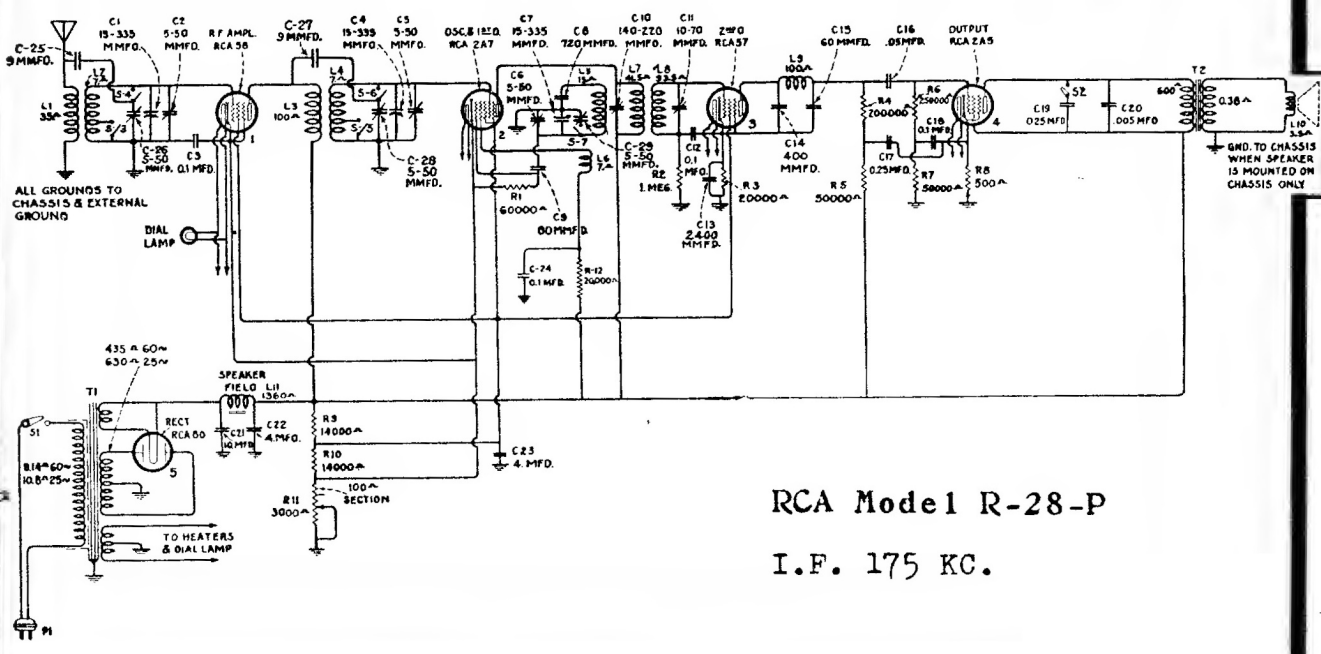


I.F. 175 KC.

RCA Model 1 M-34

MAXIMUM VOLUME CONTROL SETTING—NO SIGNAL

Radiotron No.	Cathode to Control Grid, Volts	Cathode to Screen Grid, Volts	Cathode to Plate, Volts	Plate Current, M. A.	Heater Volts
1. RCA-58 R. F. Amplifier	3.0	95	250	5.0	2.33
2. RCA-2A7 First Detector Oscillator	3.0	95	250	3.0	2.33
3. RCA-57 Second Detector	6.0	89	170	0.3	2.33
4. RCA-2A5 Power Amplifier	18.0	235	220	32.0	2.33
5. RCA-80 Rectifier					2.33
275 Volts PLATE TO PLATE—60 M. A. TOTAL					4.82
TOTAL CATHODE CURRENT—11 M. A.					



RCA Model 1 R-28-P  
I.F. 175 KC.