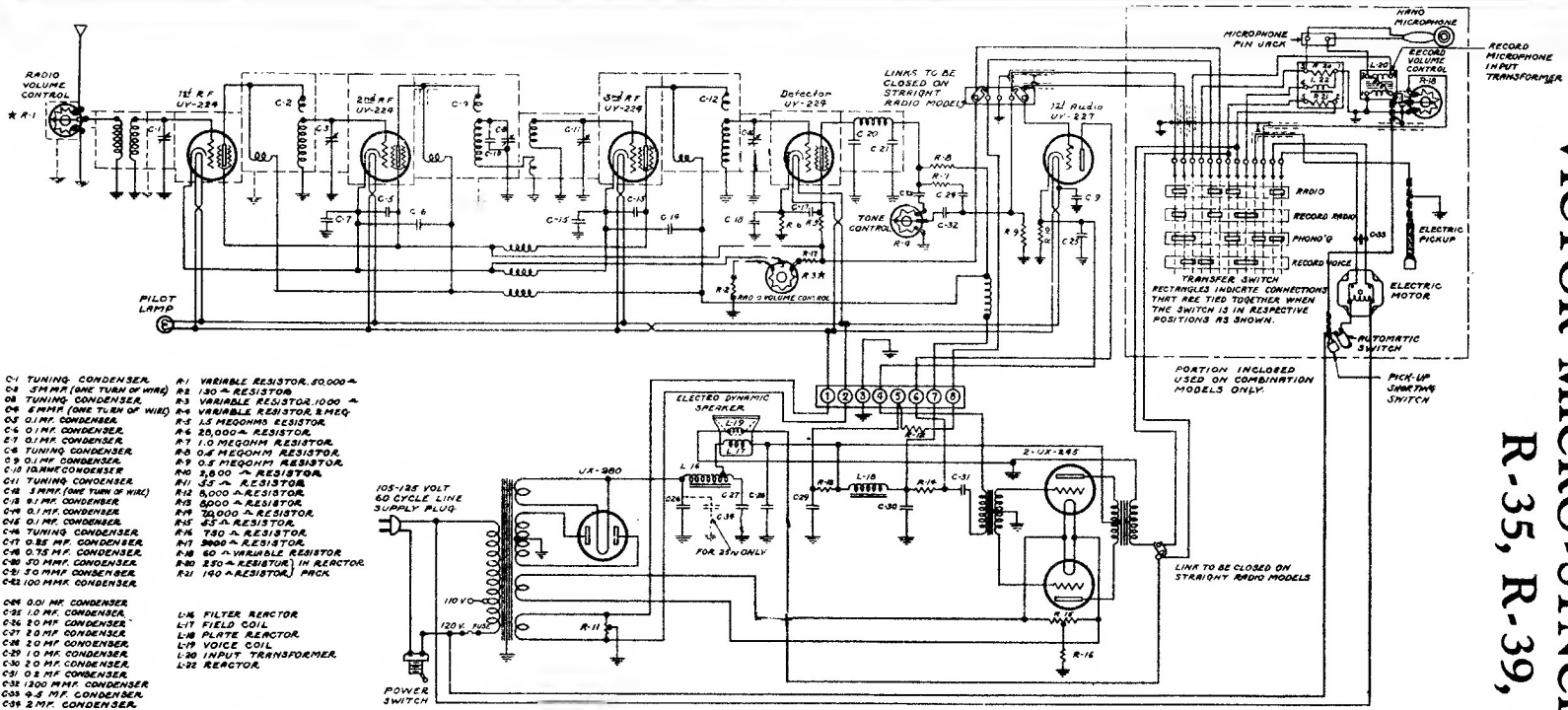


# VICTOR MICRO-SYNCHRONOUS RADIO

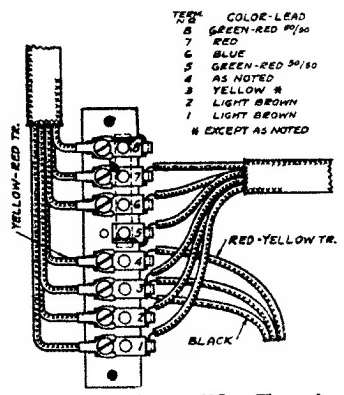
## R-35, R-39, RE-57



- C1 TUNING CONDENSER
- C2 5MMF (ONE TURN OF WIRE)
- C3 TUNING CONDENSER
- C4 5MMF (ONE TURN OF WIRE)
- C5 0.1MF CONDENSER
- C6 0.1MF CONDENSER
- C7 0.1MF CONDENSER
- C8 0.1MF CONDENSER
- C9 0.1MF CONDENSER
- C10 10MMF CONDENSER
- C11 TUNING CONDENSER
- C12 5MMF (ONE TURN OF WIRE)
- C13 0.1MF CONDENSER
- C14 0.1MF CONDENSER
- C15 0.1MF CONDENSER
- C16 0.25 MF CONDENSER
- C17 0.25 MF CONDENSER
- C18 0.25 MF CONDENSER
- C19 10 MF CONDENSER
- C20 0.2 MF CONDENSER
- C21 0.2 MF CONDENSER
- C22 0.2 MF CONDENSER
- C23 1200 MMF CONDENSER
- C24 0.5 MF CONDENSER
- C25 2 MF CONDENSER
- R1 VARIABLE RESISTOR, 50,000 Ω
- R2 100 Ω RESISTOR
- R3 VARIABLE RESISTOR, 1000 Ω
- R4 VARIABLE RESISTOR, 2 MEG
- R5 1.5 MEGOHM RESISTOR
- R6 20,000 Ω RESISTOR
- R7 1.0 MEGOHM RESISTOR
- R8 0.6 MEGOHM RESISTOR
- R9 0.5 MEGOHM RESISTOR
- R10 3,000 Ω RESISTOR
- R11 25 Ω RESISTOR
- R12 8,000 Ω RESISTOR
- R13 5000 Ω RESISTOR
- R14 10,000 Ω RESISTOR
- R15 750 Ω RESISTOR
- R16 200 Ω RESISTOR
- R17 60 Ω VARIABLE RESISTOR
- R18 250 Ω RESISTOR IN REACTOR
- R19 150 Ω RESISTOR PACK
- L1K FILTER REACTOR
- L1T FIELD COIL
- L1B PLATE REACTOR
- L1P VOICE COIL
- L1V INPUT TRANSFORMER
- L1Z REACTOR

NOTE—Broken lines along wires indicate grounded shielding.  
 Schematic Wiring Diagram Victor Micro-Synchronous Radio, Models R-35, R-39, and RE-57.

TEST BETWEEN TERMINALS	PART	APPROXIMATE VOLTAGE (10 V SCALE)	APPROXIMATE RESISTANCE (OHMMETER)
F and 7 of Terminal Board	Tapped Choke	8.4 Volts	300 Ohms
4 and 6 of Terminal Board	Speaker Field	7.2 Volts	1,500 Ohms
Brown-Grey Resistor	8000 Ohm Resistor	3.4 Volts	8,000 Ohms
Brown-Grey Resistor	8000 Ohm Resistor	3.4 Volts	8,000 Ohms
Green-Red Resistor	70,000 Ohm Resistor	.5 Volts	70,000 Ohms
7 and 8 of Condenser Bank	Plate Choke	4.0 Volts	6,000 Ohms
2 of Condenser Bank and 4 of Terminal Strip	Primary Interstage Transformer	6.4 Volts	2,000 Ohms
UX-245 Grids	Secondary Interstage Transformer	2.4 Volts	14,000 Ohms
UX-245 Grids to Chassis	One-half Secondary Interstage Transformer	2.4 Volts	5,500 Ohms
		3.6 Volts	7,500 Ohms
UX-245 Plates	Primary Output Transformer	8.4 Volts	330 Ohms
UX-245 Plates and No. 3 of Condenser Bank	One-half Primary Output Transformer	8.8 Volts	165 Ohms
Voice Coil	Speaker Voice Coil	9.0 Volts	0 Ohms
14 and 15 of Terminal Board	Primary Power Transformer	9.0 Volts	0 Ohms
P and P	High Voltage Secondary Output Transformer	8.4 Volts	340 Ohms
F and F	UX-280 Filament Secondary Output Transformer	9.0 Volts	0 Ohms



Top View of Amplifier Terminal Strip.