

RCA VICTOR

56X, 56X2, 56X3

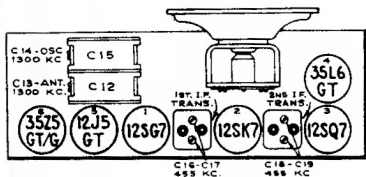
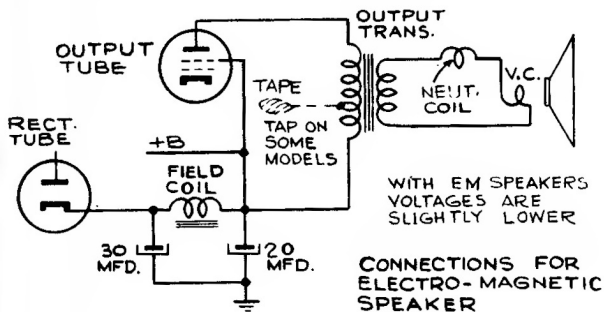
Chassis No. RC-1011—Mfr. No. 274

Test Oscillator.—Connect high side of test oscillator as shown in chart. Connect low side through a .01 mf capacitor to common "B." Keep the output signal as low as possible to avoid AVC action.

Output Meter.—Connect leads between speaker voice coil and chassis. Turn volume control to maximum clockwise, tone control to maximum highs (clockwise).

Dial Pointer Adjustment.—Rotate tuning condenser fully counter-clockwise (plates closed). Adjust indicator pointer to left (max. Cap.) mark on dial back plate.

| Steps | Connect the high side of test-oscillator to— | Tune test-osc. to— | Turn radio dial to— | Adjust the following for max. peak output |
|-------|--|--------------------|----------------------------------|---|
| 1 | Stator of C-12 in series with .01 mfd. | 455 kc | Quiet-point 1,800 kc end of dial | C18 and C19 2nd I.F. transformer |
| 2 | | | | C18 and C17 1st I.F. transformer |
| 3 | Ant. lead in series with 200 mmfd. | 1,300 kc | 1,300 kc | C14 (osc.) C13 (ant.) |
| 4 | Repeat step 3. | | | |



Radiola Models 61-1, 61-2, 61-3 are similar to models illustrated.

