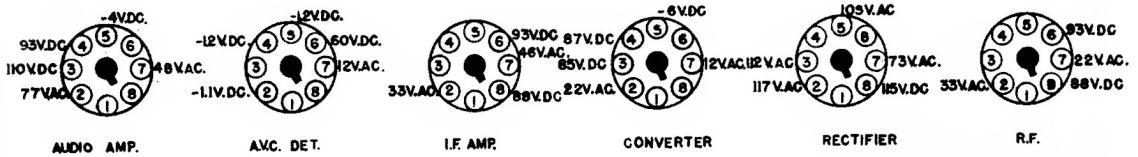
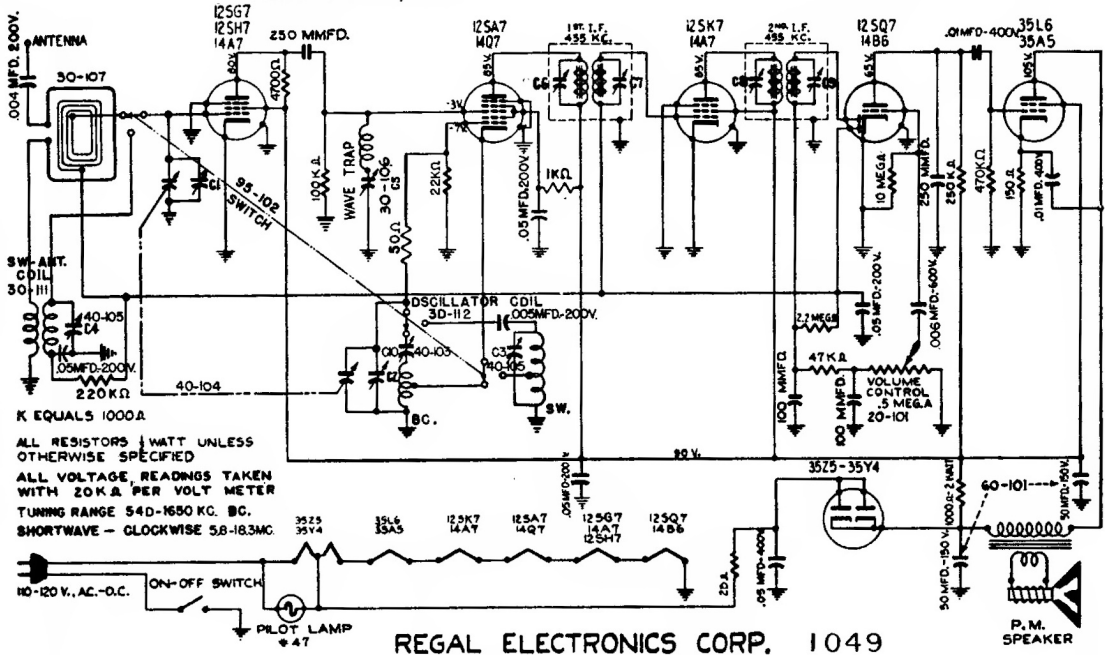


REGAL ELECTRONICS CORPORATION  
NEW YORK, N. Y.

MODEL 1049



VOLTAGES TAKEN WITH 20K  $\Omega$  PER VOLT METER WITH CHASSIS GROUND, AT 1000KC.

