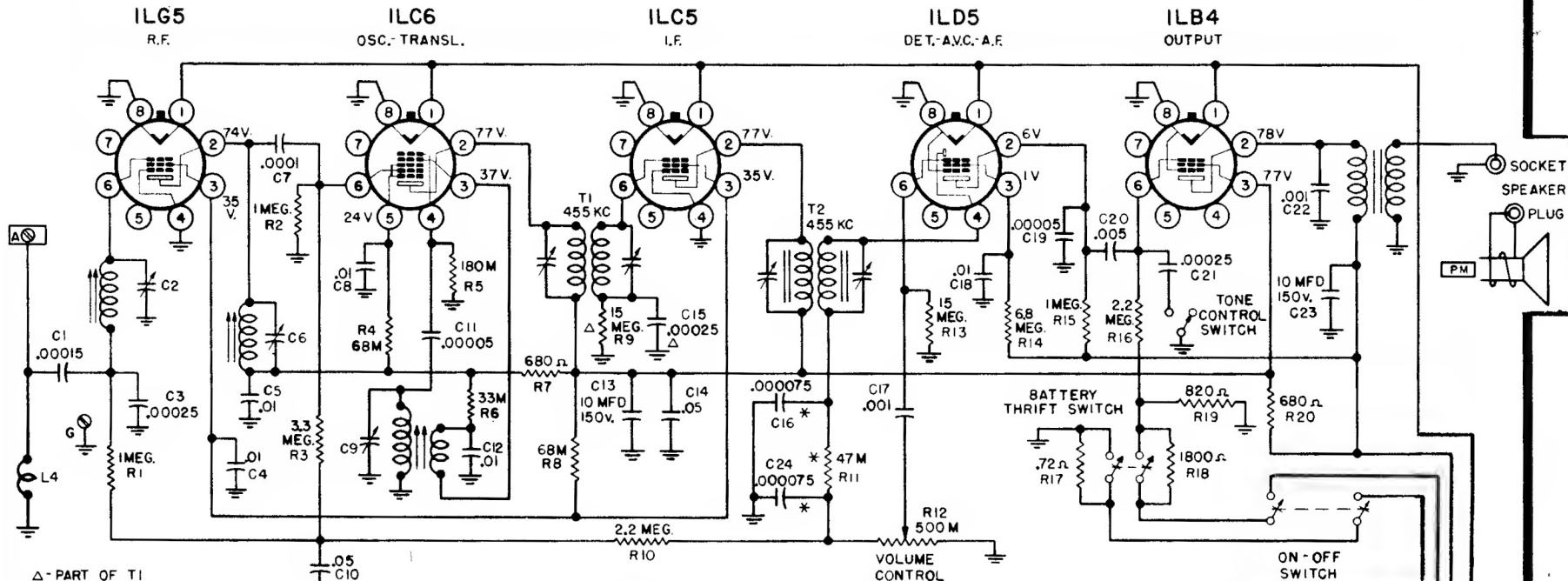


Sears, Roebuck & Co. Chassis 101.801



Δ - PART OF T1
* - PART OF T2

SCHEMATIC LOCATION **PART NUMBER** **DESCRIPTION**

	R57145	Antenna - Package
	R57037	Board - Antenna
	R13961	Button - Snap
	R57045	Cable - Battery
C4, C5, C8		Capacitor - .01 mfd. - 200 V.
C12, C18		
C10, C14		Capacitor - .05 mfd. - 200 V.
C22, C17		Capacitor - .001 mfd. - 60D V.
C20		Capacitor - .005 mfd. - 400 V.
C19, C11		Capacitor - Mica - 50 mmfd.
C7		Capacitor - Mica - 100 mmfd.
C1		Capacitor - Mica - 150 mmfd.
C21		Capacitor - Mica - 250 mmfd.
C3		Capacitor - Silver Mica - 250 mmfd.
C13, C23	R57128	Capacitor - Dry Elect. - 10X10 mfd.
C2, C6, C9	R57081	Capacitor - Trimmer - 3 Gang
	R57010	Clip - Drive Cord Anchor
L4	R45255	Coil - Choke - Antenna
R12	R57071	Control - On-Off, Volume & Tone

TUBE SOCKETS ARE VIEWED FROM UNDER SIDE OF CHASSIS. VOLTAGE READINGS SHOWN AT SOCKET PRONGS ARE TO CHASSIS, AND ARE TAKEN WITH NO SIGNAL. WHERE NO READING IS GIVEN, THE VOLTAGE IS ZERO OR TOO LOW TO READ.

R20	Resistor - 680 ohms - 1/3 W.
R7	Resistor - 680 ohms - 1/3 W.
R19	Resistor - 820 ohms - 1/3 W.
R18	Resistor - 1800 ohms - 1/3 W.
R6	Resistor - 33000 ohms - 1/3 W.
R4	Resistor - 68000 ohms - 1/3 W.
R8	Resistor - 68000 ohms - 1/3 W.
R5	Resistor - 180000 ohms - 1/3 W.
R1, R2, R15	Resistor - 1 megohm - 1/3 W.
R16, R10	Resistor - 2.2 megohm - 1/3 W.
R3	Resistor - 3.3 megohm - 1/3 W.
R14	Resistor - 6.8 megohm - 1/3 W.
R13	Resistor - 15 megohm - 1/3 W.
R17	R45254 Resistor - Flexohm - 0.72 ohm -

