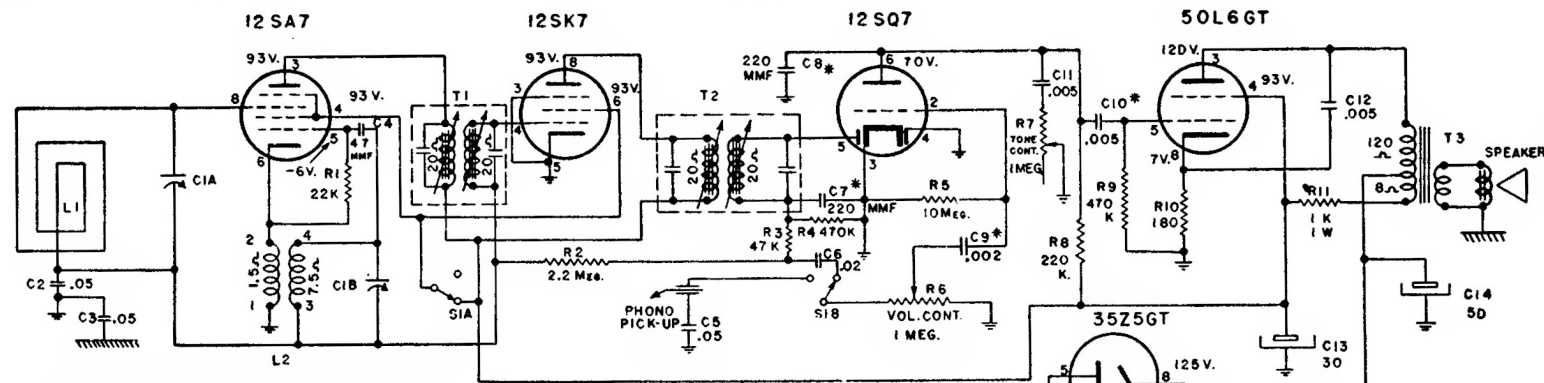
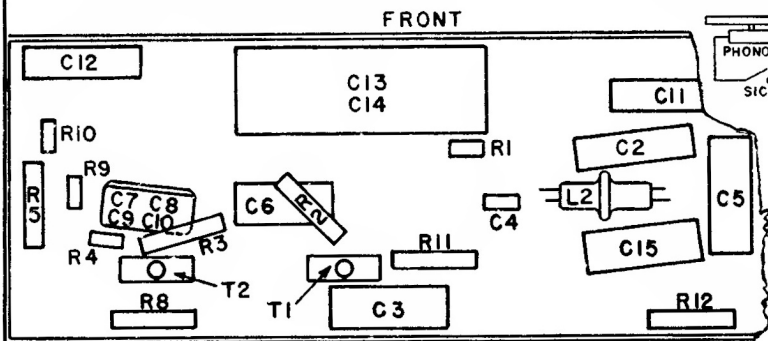


Sears, Roebuck Sets 1032, 1035, and 1035-A, Chassis 528.195, -1, 528.196. Sets 1040 and 1045, Chassis 528.194 uses the same circuit + pilot light, but has a different chassis layout.



VOLTAGES MEASURED FROM POINT INDICATED TO COMMON GROUND WITH 20,000 OHM/VOLT VOLT METER, RADIO-PHONO SWITCH IN RADIO POSITION, LINE VOLTAGE SET AT 117 V. AC.

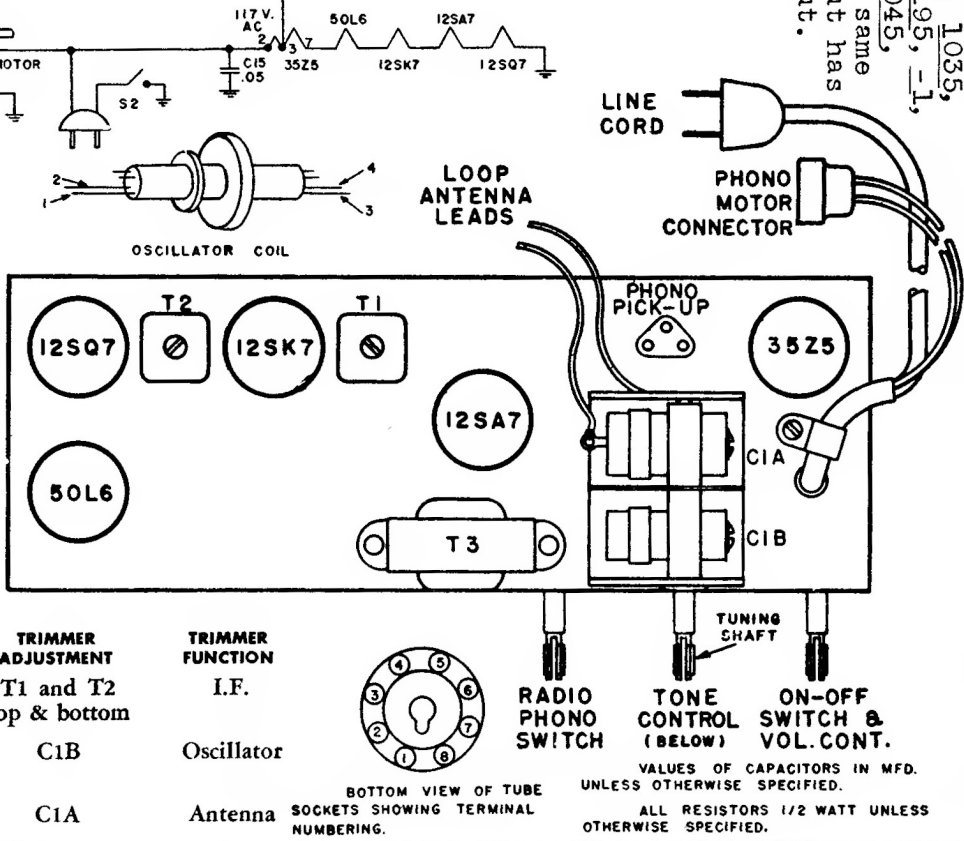
* THESE CAPACITORS ARE IN CERAMIC UNIT PART NO. T17-104.



ALIGNMENT PROCEDURE

Output meter reading to indicate 0.05 watt across voice coil ... 0.4 volt
 Generator ground lead connection common ground
 Generator modulation 30%, 400 cycles
 Position of Volume Control Fully on

POSITION OF TUNER	GENERATOR FREQUENCY	DUMMY ANTENNA	GENERATOR CONNECTION	TRIMMER ADJUSTMENT	TRIMMER FUNCTION
Open	455 KC	.1 mfd.	Pin 8 12SA7	T1 and T2 top & bottom	I.F.
Open	1630 KC	.1 mfd.	Pin 8 12SA7	C1B	Oscillator
1400 KC	1400 KC	HAZELTINE LOOP		C1A	Antenna



BOTTOM VIEW OF TUBE SOCKETS SHOWING TERMINAL NUMBERING.

VALUES OF CAPACITORS IN MFD. UNLESS OTHERWISE SPECIFIED. ALL RESISTORS 1/2 WATT UNLESS OTHERWISE SPECIFIED.