

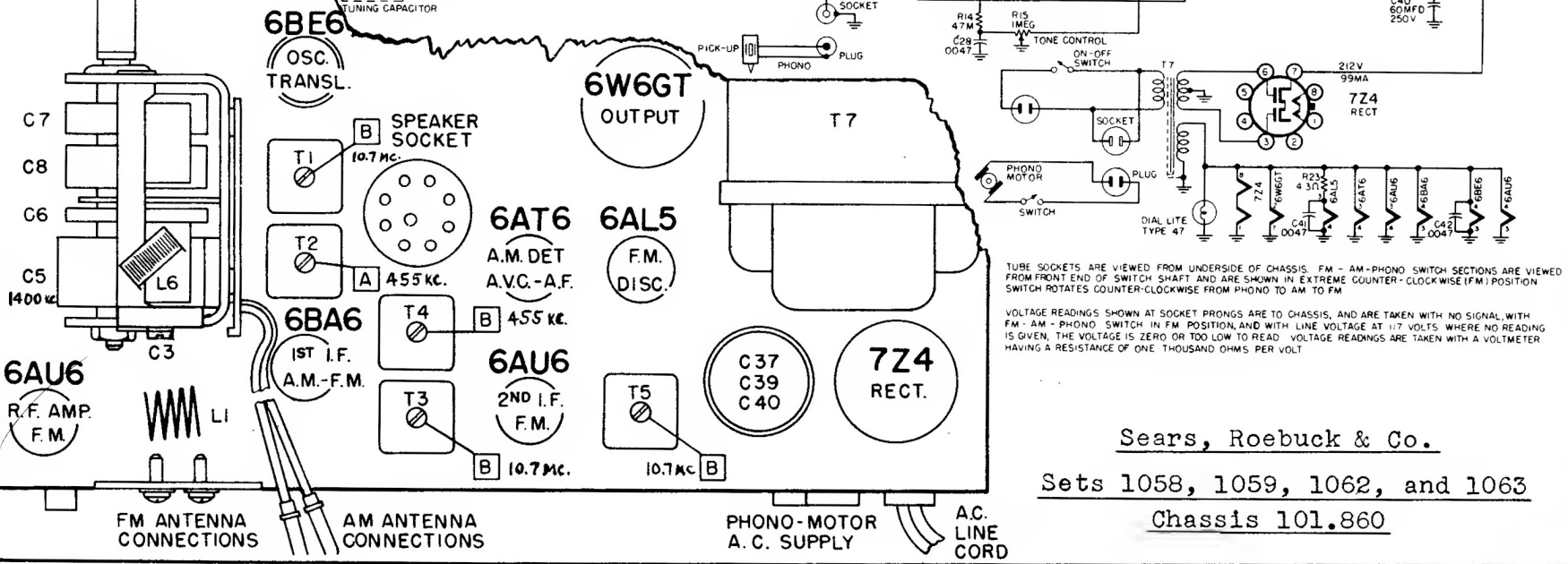
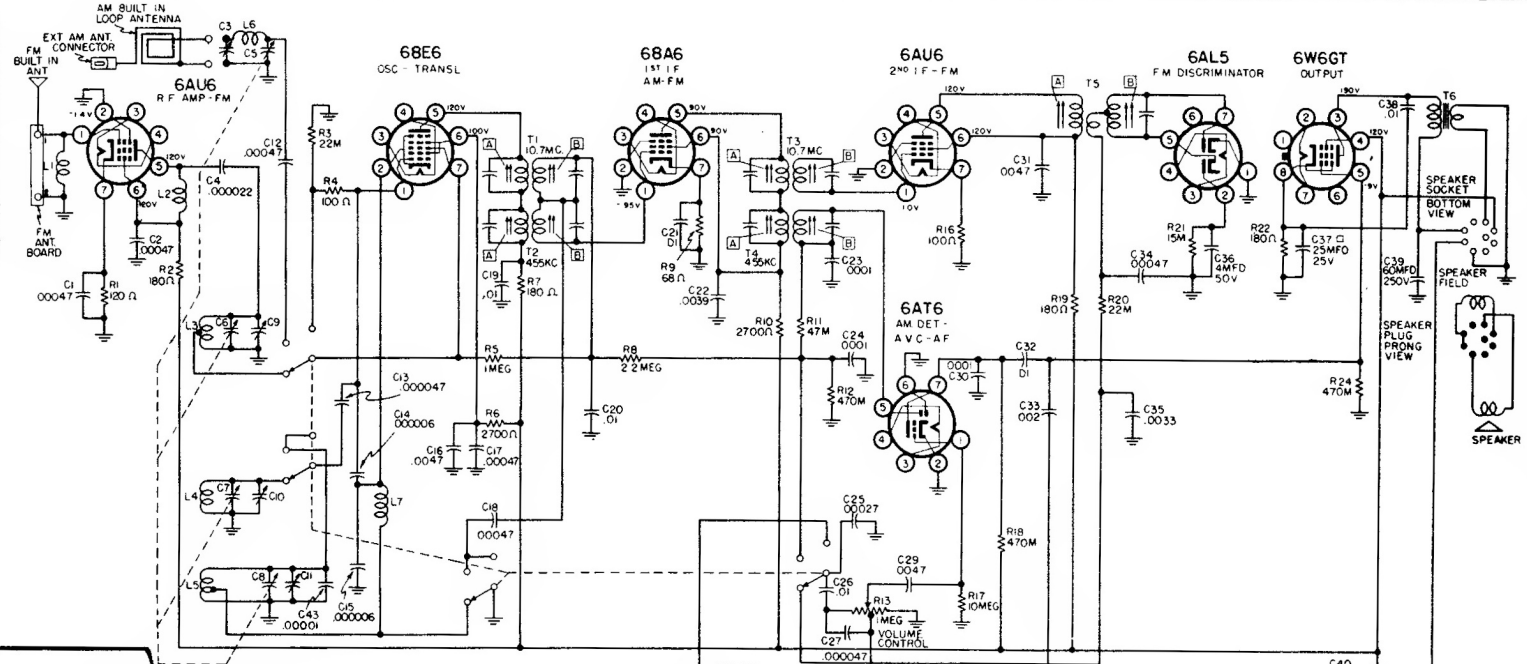
FREQUENCY RANGE

Standard Broadcast
Frequency Modulation (FM)

540-1600 KC.
88-108 MC.

INTERMEDIATE FREQUENCIES

AM IF Carrier 455 KC.
FM IF Carrier 10.7 MC.



TUBE SOCKETS ARE VIEWED FROM UNDERSIDE OF CHASSIS. FM - AM-PHONO SWITCH SECTIONS ARE VIEWED FROM FRONT END OF SWITCH SHAFT AND ARE SHOWN IN EXTREME COUNTER-CLOCKWISE (FM) POSITION. SWITCH ROTATES COUNTER-CLOCKWISE FROM PHONO TO AM TO FM.

VOLTAGE READINGS SHOWN AT SOCKET PRONGS ARE TO CHASSIS, AND ARE TAKEN WITH NO SIGNAL, WITH FM - AM - PHONO SWITCH IN FM POSITION, AND WITH LINE VOLTAGE AT 117 VOLTS. WHERE NO READING IS GIVEN, THE VOLTAGE IS ZERO OR TOO LOW TO READ. VOLTAGE READINGS ARE TAKEN WITH A VOLTMETER HAVING A RESISTANCE OF ONE THOUSAND OHMS PER VOLT.

Sears, Roebuck & Co.
Sets 1058, 1059, 1062, and 1063
Chassis 101.860