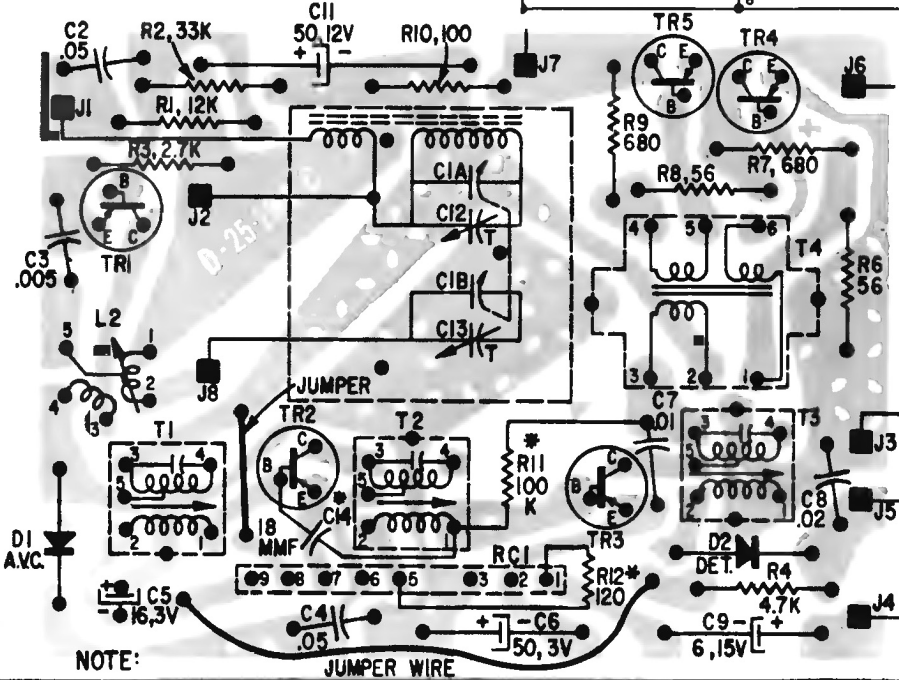


Circuit Board Wiring Diagram, 84-11701-0



NOTE:

1. WIRING DIAGRAM SHOWN FROM CIRCUIT SIDE.
2. * INDICATES COMPONENTS LOCATED ON CIRCUIT SIDE

I. F. 455 KC.

*Same production Models of this chassis may contain transistors identified only by manufacturers type number. Replacements should be ordered by the type number shown for that transistor on the schematic drawing.

NOTES

1. VALUES OF CAPACITORS IN MFD, UNLESS OTHERWISE NOTED.
2. ALL RESISTORS ARE 1/2 WATT, UNLESS OTHERWISE NOTED.
3. VOLTAGE READINGS ARE TAKEN FROM POINT INDICATED TO CHASSIS GROUND WITH "VTVM" NO SIGNAL INPUT.
4. J1, J2 ETC. INDICATES TERMINAL CONNECTIONS ON CIRCUIT BOARD.

3C5 BATTERY
CAT. NO. 6446
BATTERY CURRENT
MAX. VOL. STRONG SIGNAL
45 MA.
MIN. VOL. NO SIGNAL 9 MA.

Silverstone

SEARS, ROEBUCK AND CO.

CHASSIS NO. 528.53740

Models 1212, 1213, 1214