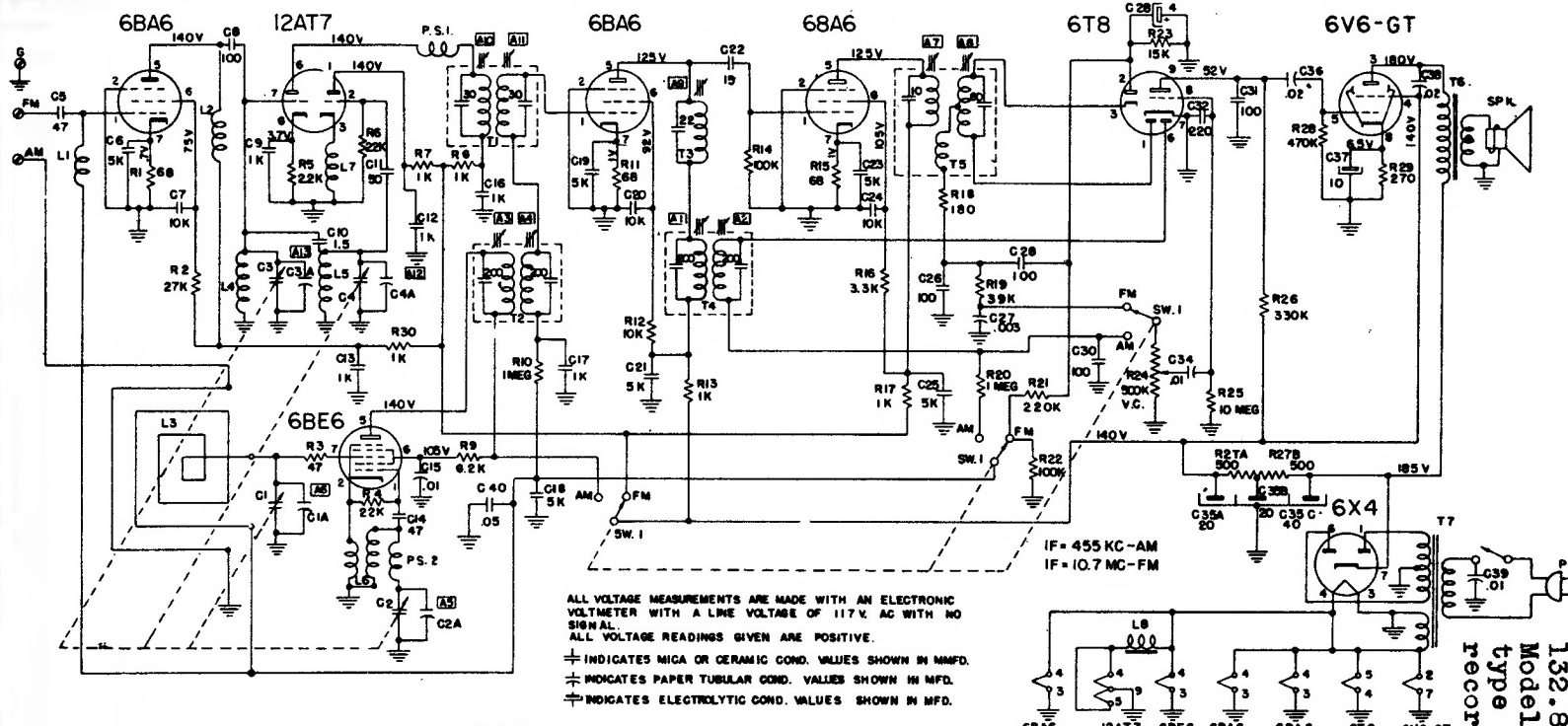
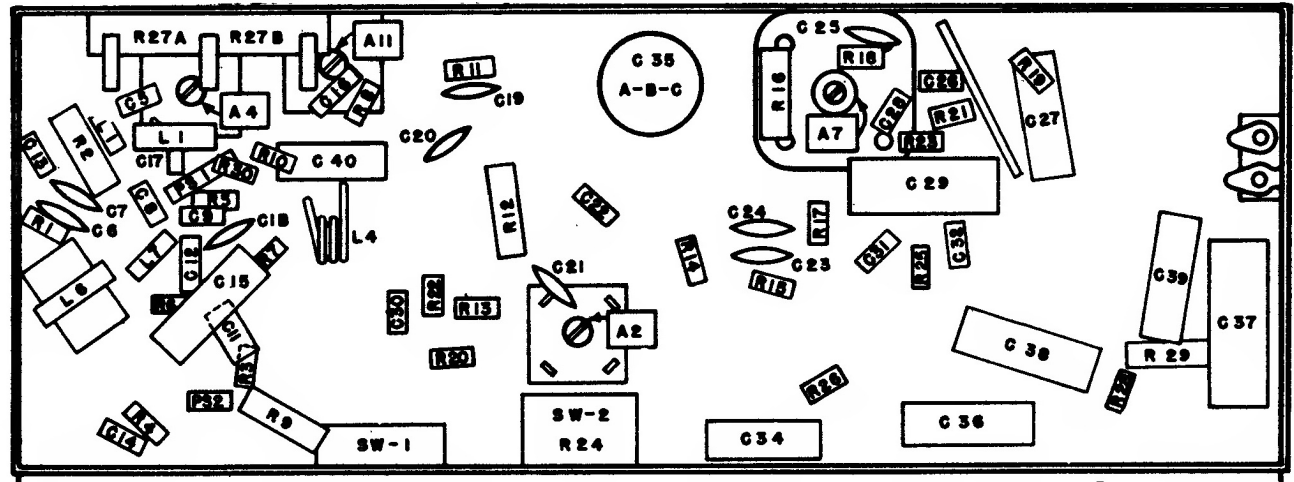


Sears, Roebuck and Co. Chassis 132.877, Catalog Nos. 18 and 20



ALL VOLTAGE MEASUREMENTS ARE MADE WITH AN ELECTRONIC  
 VOLTMETER WITH A LINE VOLTAGE OF 117V. AC WITH NO  
 SIGNAL.  
 ALL VOLTAGE READINGS GIVEN ARE POSITIVE.  
 † INDICATES MICA OR CERAMIC COND. VALUES SHOWN IN MMFD.  
 ‡ INDICATES PAPER TUBULAR COND. VALUES SHOWN IN MFD.  
 § INDICATES ELECTROLYTIC COND. VALUES SHOWN IN MFD.

**UNDER CHASSIS**



You will find Model 9022, Chassis 132.871 almost identical; while Model 9105, Chassis 132.875 uses type 6AQ5 output tube and has a record changer.

