

Silvertone

TR-1
2SA29-1
CONVERTER

TR-2
2SA29-2
FIRST I.F.

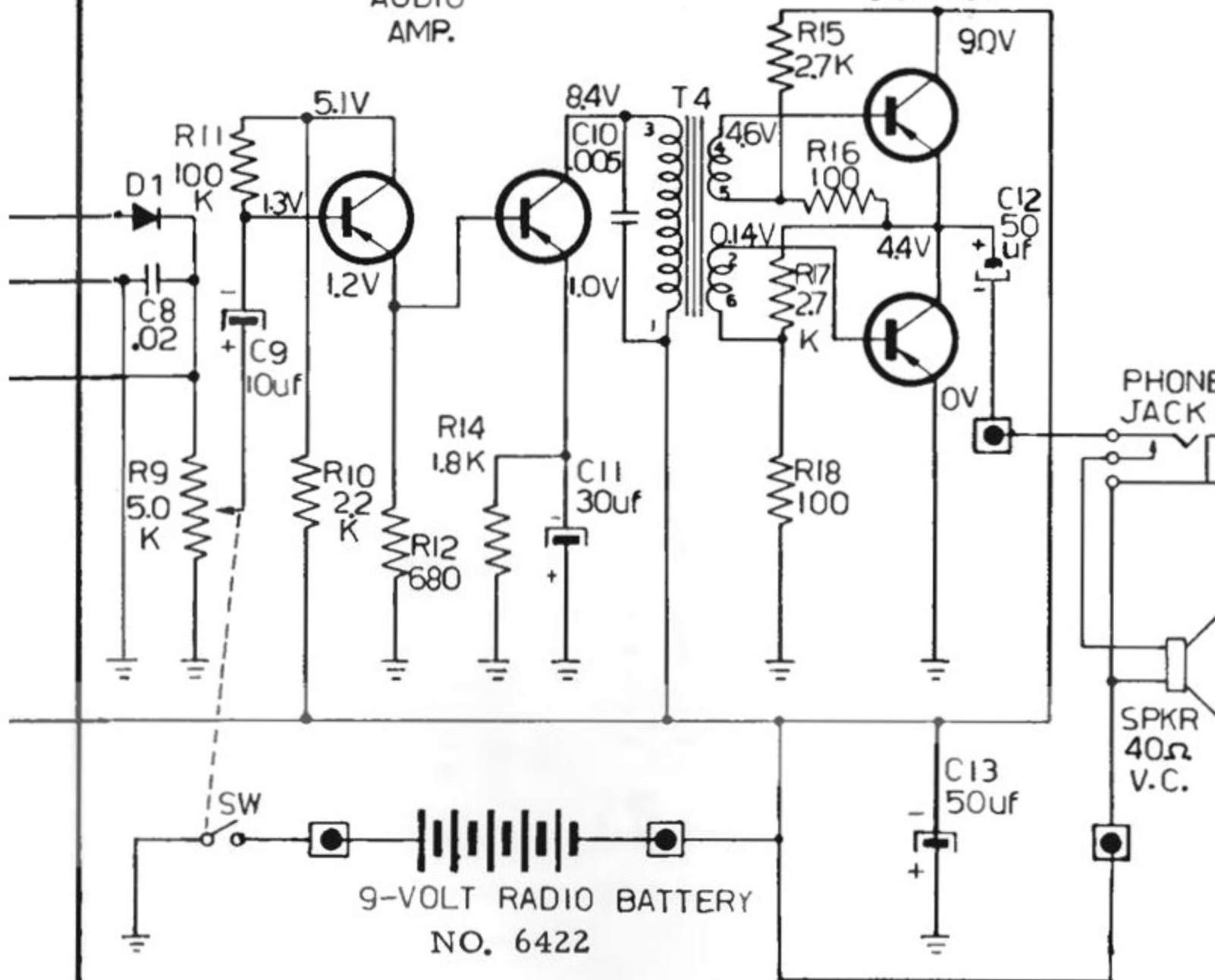
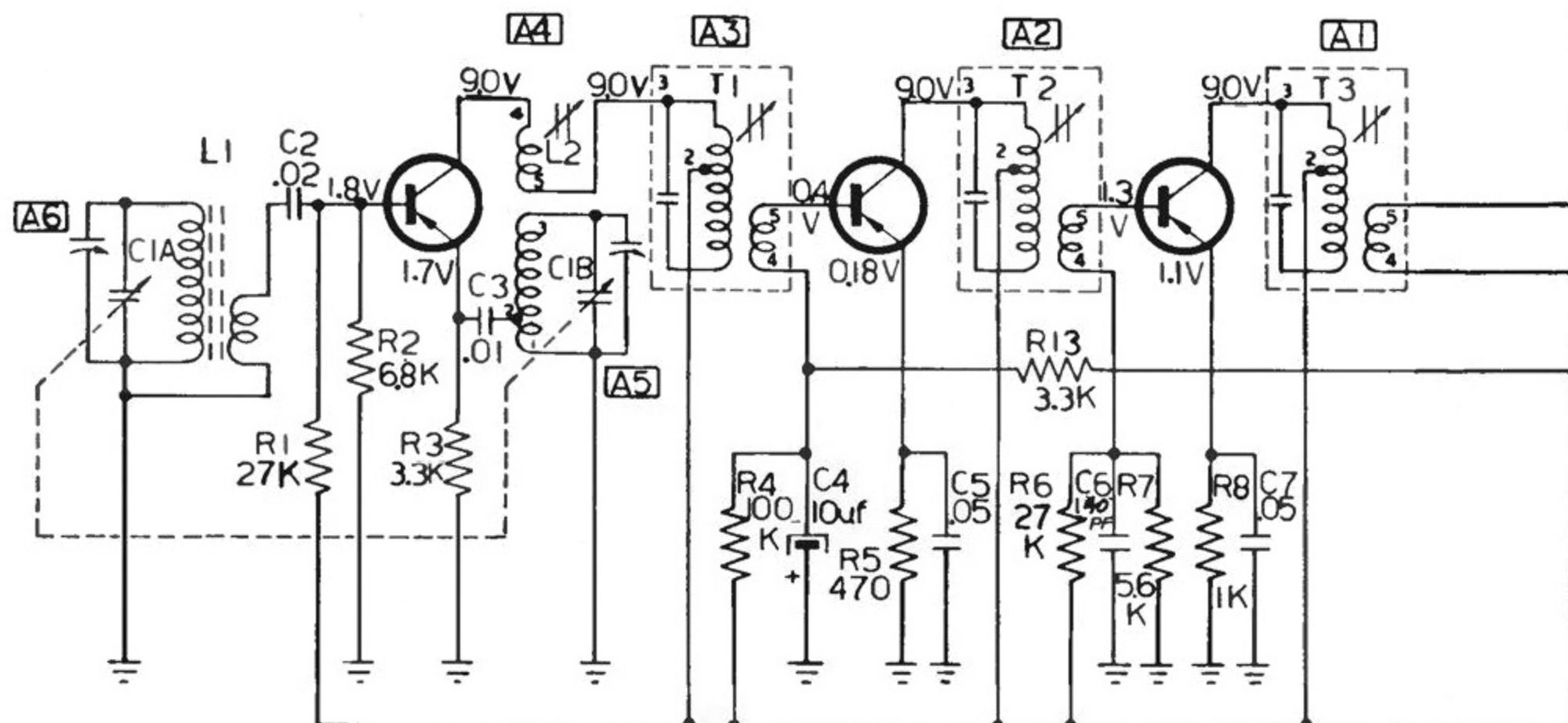
TR-3
2SA29-3
SECOND I.F.

D-1
IN60
DETECTOR

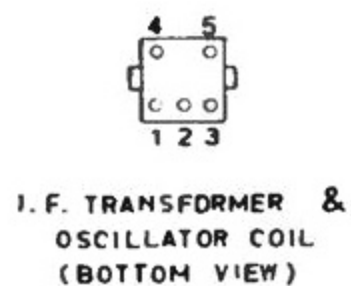
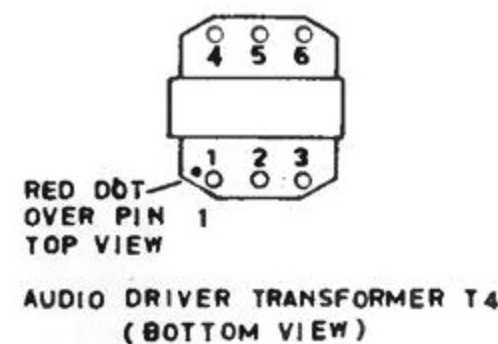
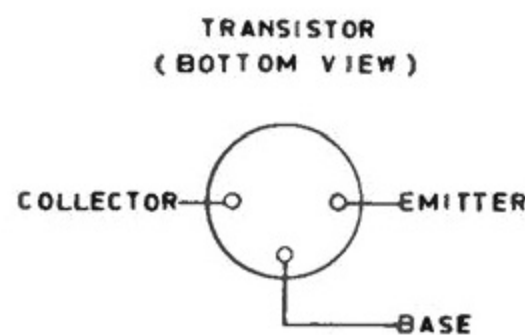
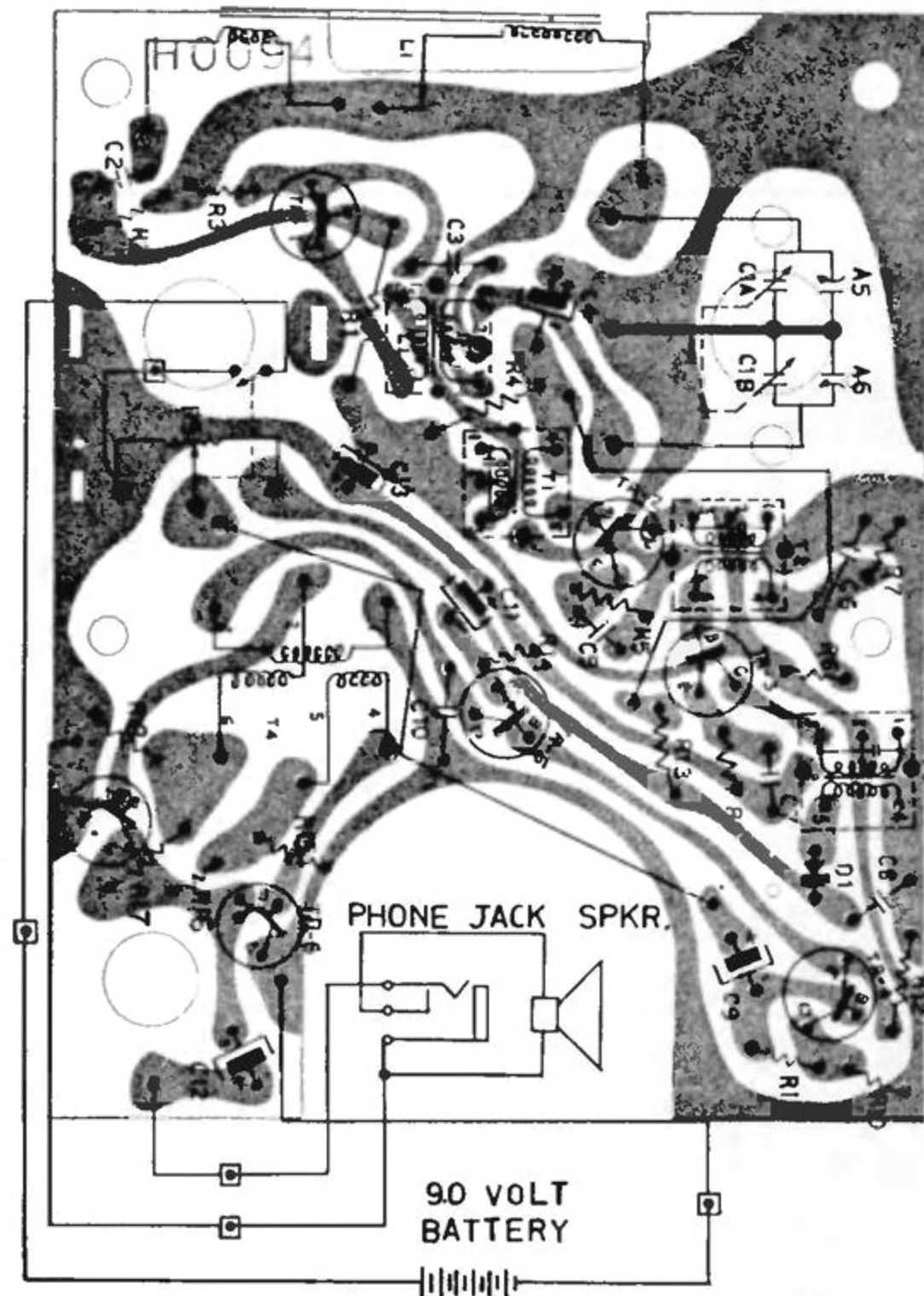
TR-4
2SB422
FIRST
AUDIO
AMP.

TR-5
2SB422
DRIVER

TR-6 & TR-7
2SB423
AUDIO
OUTPUT

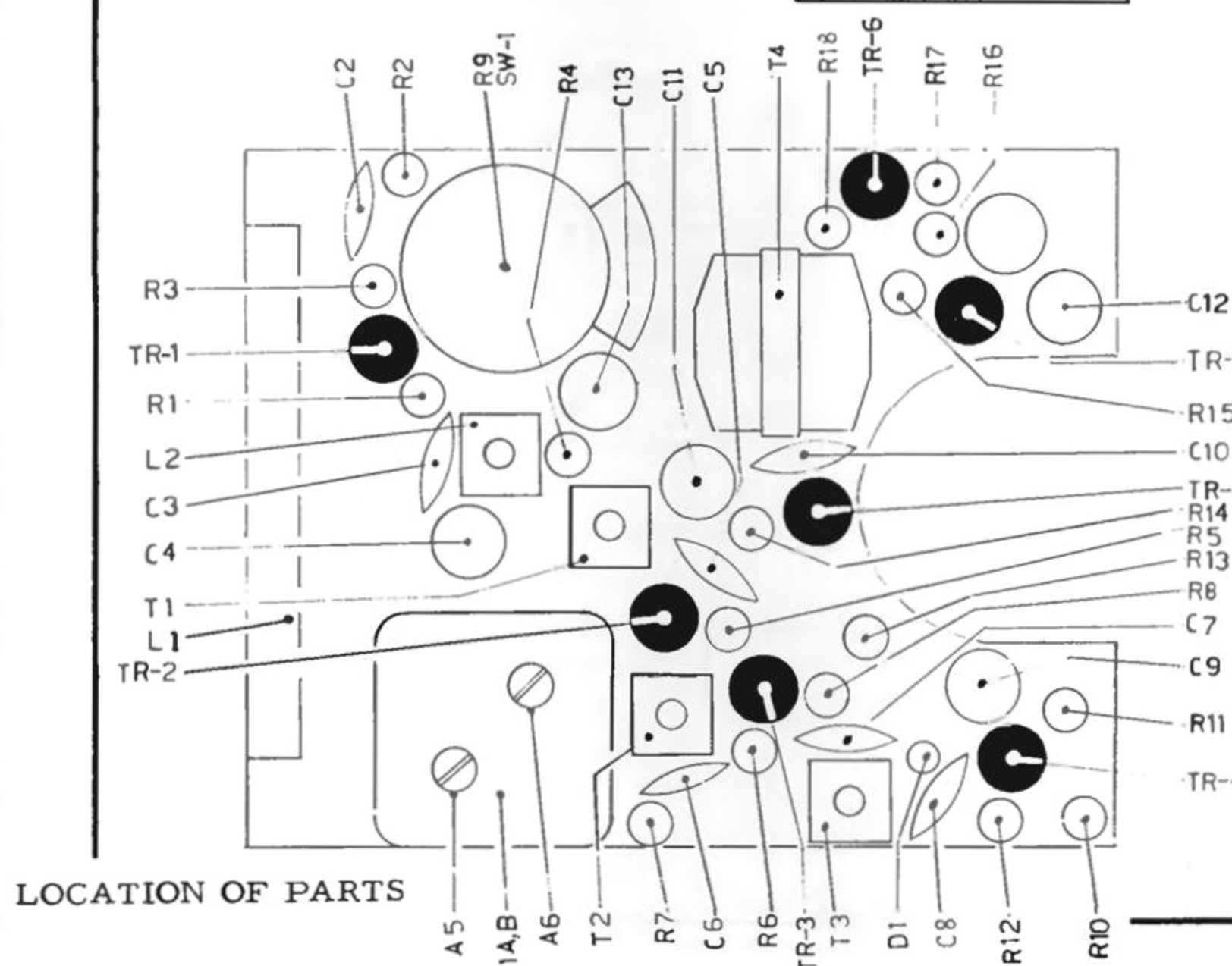


| Position of Variable | Frequency of Generator | Dummy Antenna |
|----------------------|------------------------|---------------|
| Open | 455 kHz | .05 mf. |
| Closed | 530 kHz | |
| Open | 1640 kHz | |
| Open | 1400 kHz | |
| 600 kHz | 600 kHz | |



USED IN RADIO MODEL

2203



⊥ = COMMON GROUND SYMBOL.
 □ = EXTERNAL CONNECTION TO PRINTED CIRCUIT.
 RESISTANCE VALUES ARE IN OHMS; K=1000.
 CAPACITANCE VALUES LESS THAN 1.0 ARE MICROFARADS (uf), AND VALUES GREATER THAN 1.0 ARE IN MICRO-MICROFARADS (pF) EXCEPT WHERE NOTED.
 VOLTAGE READINGS TO COMMON GROUND ARE MEASURED WITH VACUUM TUBE VOLTMETER UNDER NO SIGNAL CONDITIONS WITH TUNING CAPACITOR CLOSED AND VOLUME CONTROL AT MINIMUM VOLUME POSITION. TOTAL BATTERY CURRENT DRAIN UNDER NO SIGNAL CONDITIONS, 8 TO 15 MA.

CIRCUIT BOARD DIAGRAM (BOTTOM VIEW)