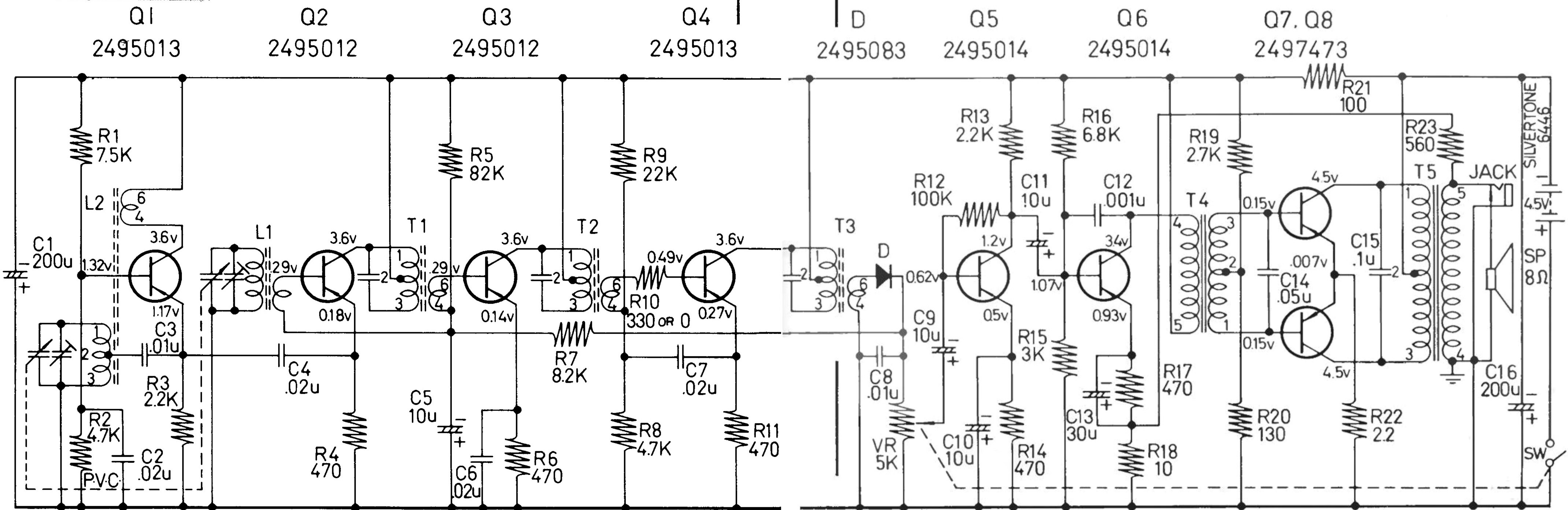


# SEARS

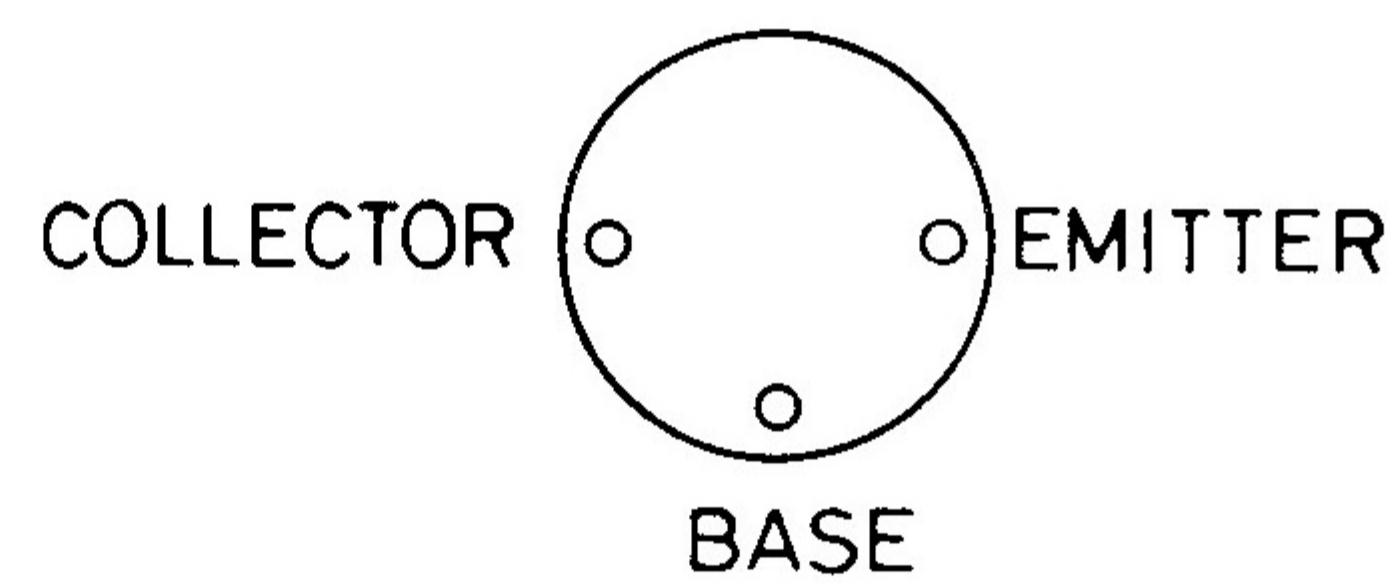
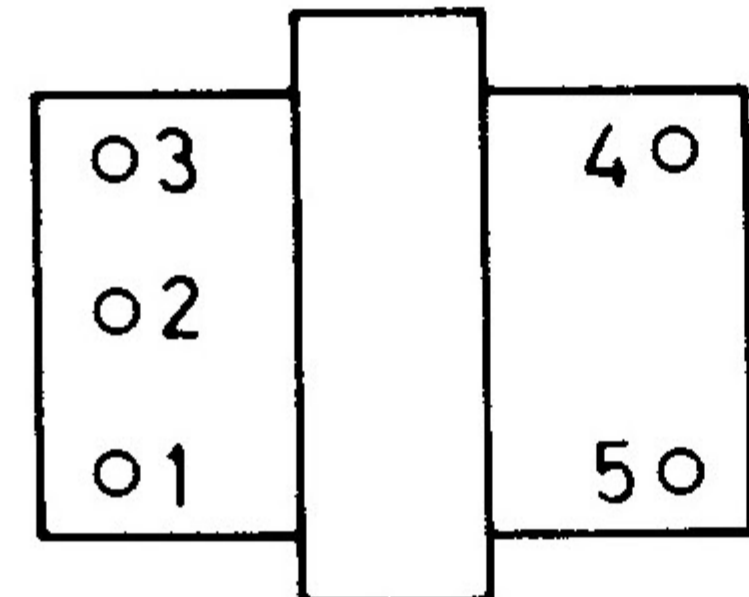
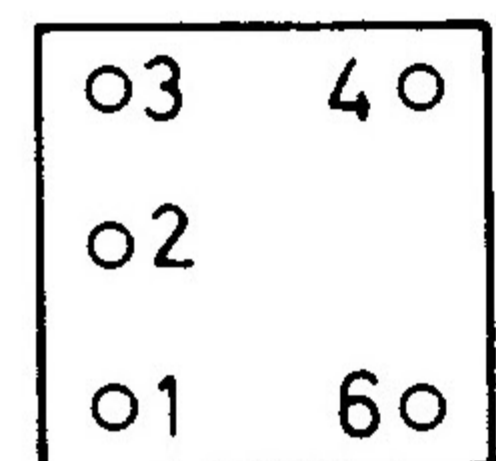
CHASSIS 132.41501  
 MODELS 2230, 2231, 2232



L2, T1, T2, T3

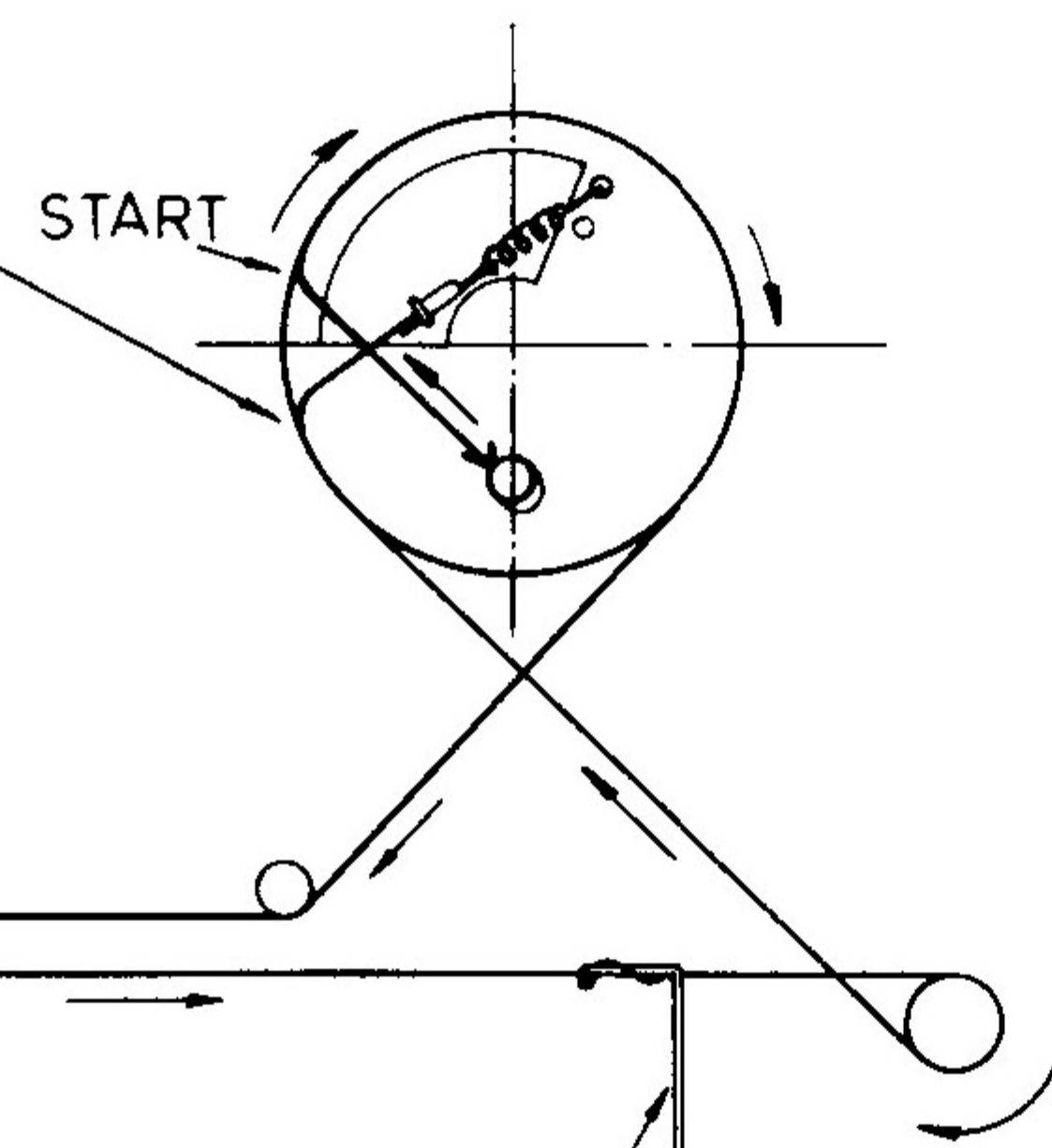
T4, T5

Q1 Q8



ONE COMPLETE TURN AT FINISH

(BOTTOM VIEW)



VARIABLE CONDENSER AT MINIMUM CAPACITY

IF 455 KC

*Silvertone*

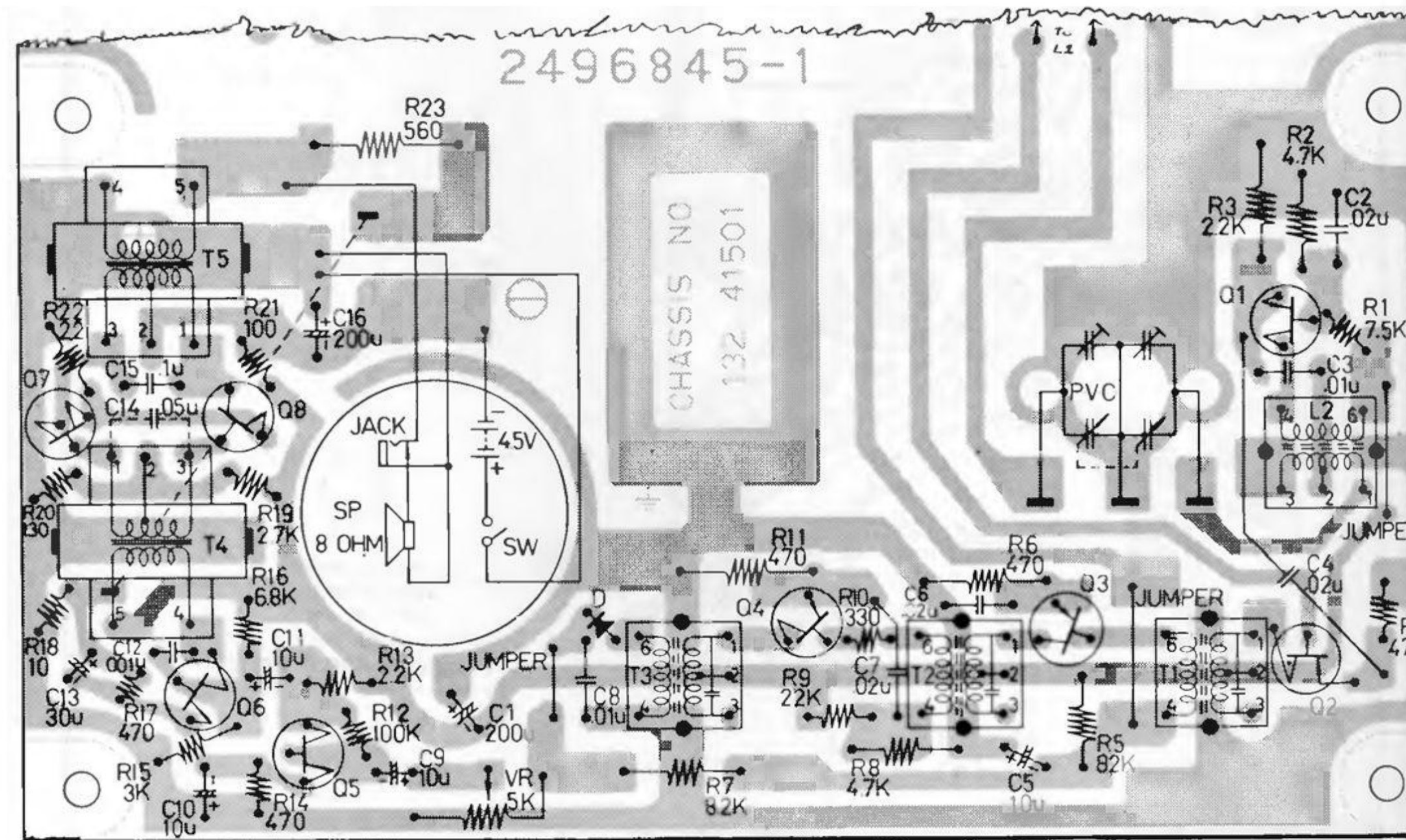
RADIO CHASSIS NO. 132.41501

USED IN RADIO MODEL

- 2230
- 2231
- 2232

STRINGING DIAGRAM

POINTER



CIRCUIT BOARD DIAGRAM (Bottom View)