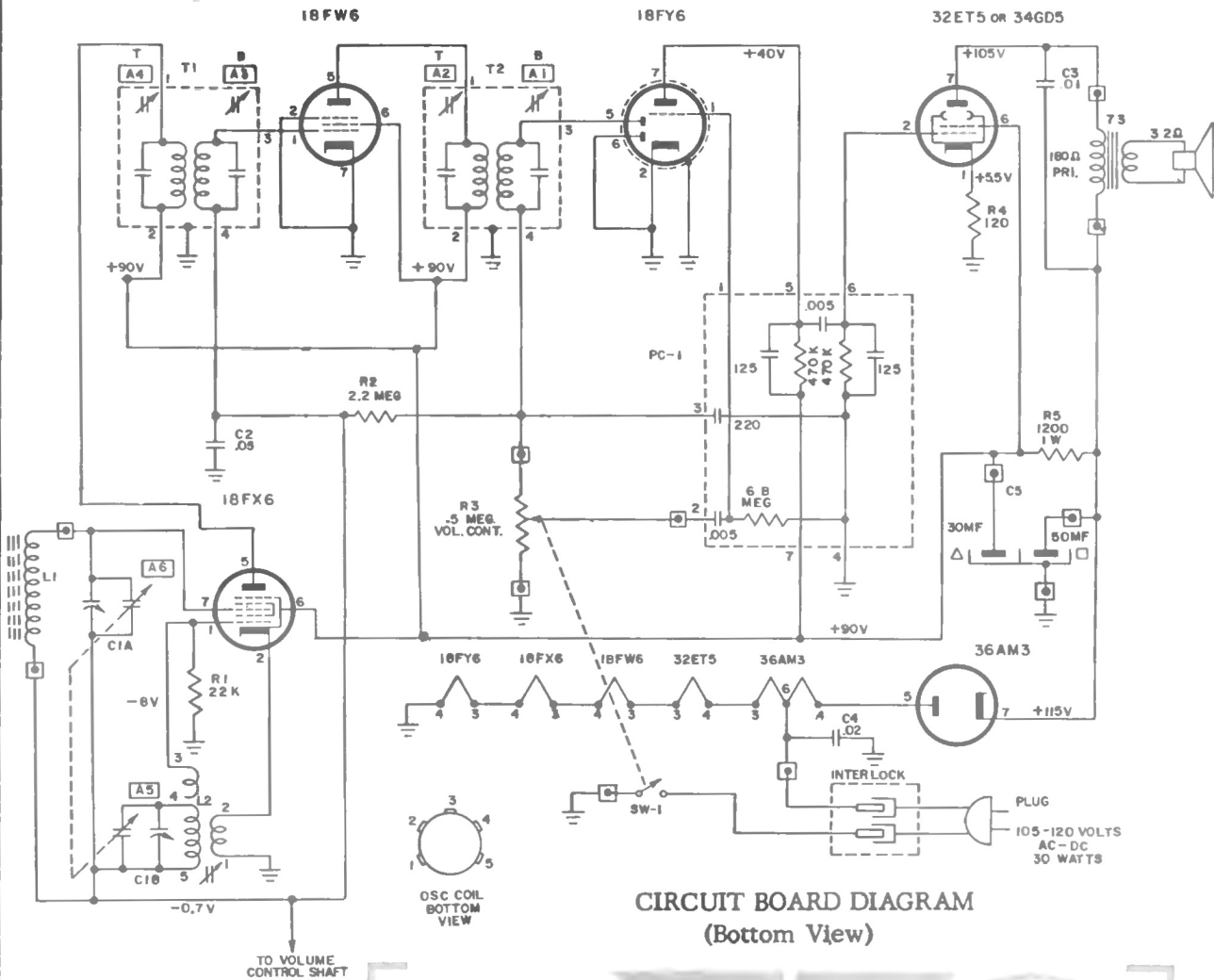


SEARS, ROEBUCK AND CO.

Silvertone

CHASSIS 132.75901
MODEL 4001, 4002, 4003



CIRCUIT BOARD DIAGRAM
(Bottom View)

= EXTERNAL CONNECTIONS TO PRINTED BOARD
 VOLTAGES MEASURED WITH A VTVM
 RESISTANCE VALUES ARE IN OHMS K=1,000,
 MEG = 1,000,000
 CAPACITANCE VALUES LESS THAN (1) ARE IN
 MICROFARADS (μF), AND VALUES DF (1) OR
 GREATER ARE IN MICROMICROFARADS (μμF),
 UNLESS OTHERWISE INDICATED.

