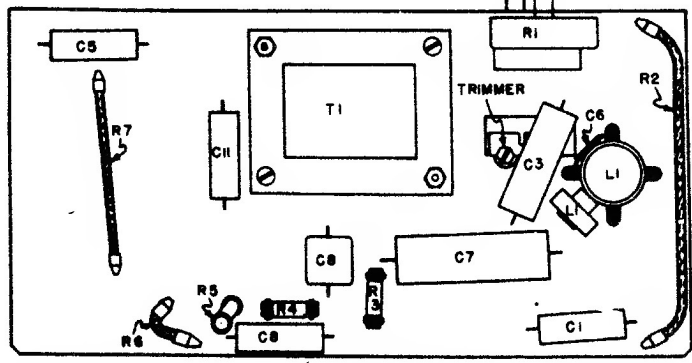
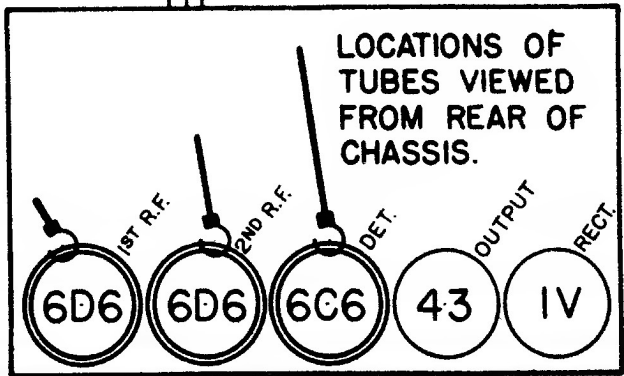
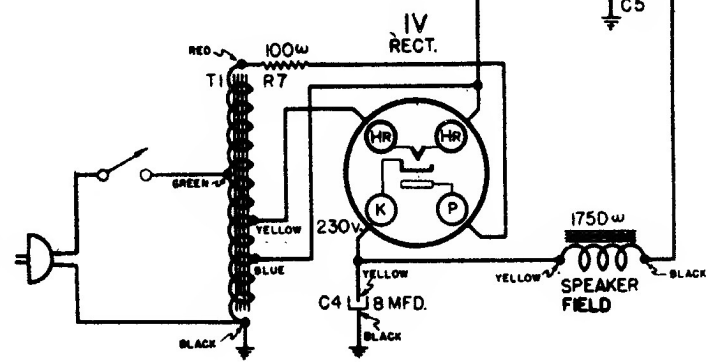


TUBE SOCKETS ARE VIEWED FROM UNDER SIDE OF CHASSIS.
 VOLTAGE READINGS AT INDICATED SOCKET PRONGS ARE TO CHASSIS.
 ALIGNMENT IS TO BE MADE AT THE FREQUENCY SHOWN AT THE TRIMMER CONDENSER.
 WHERE NO VOLTAGE READING IS SHOWN AT SOCKET PRONG, IT INDICATES A VERY LOW READING.
 VOLUME CONTRL TO BE ON FULL.



C4, C10, C12, & L1 ARE MOUNTED ON TOP OF CHASSIS.

LOCATIONS OF PARTS UNDER CHASSIS

Sears Roebuck & Co.
 Models: 4414, 4415,
 4500, 4505, 4506,
 4510, 4511