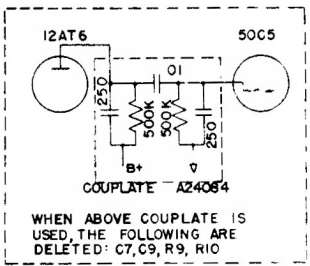
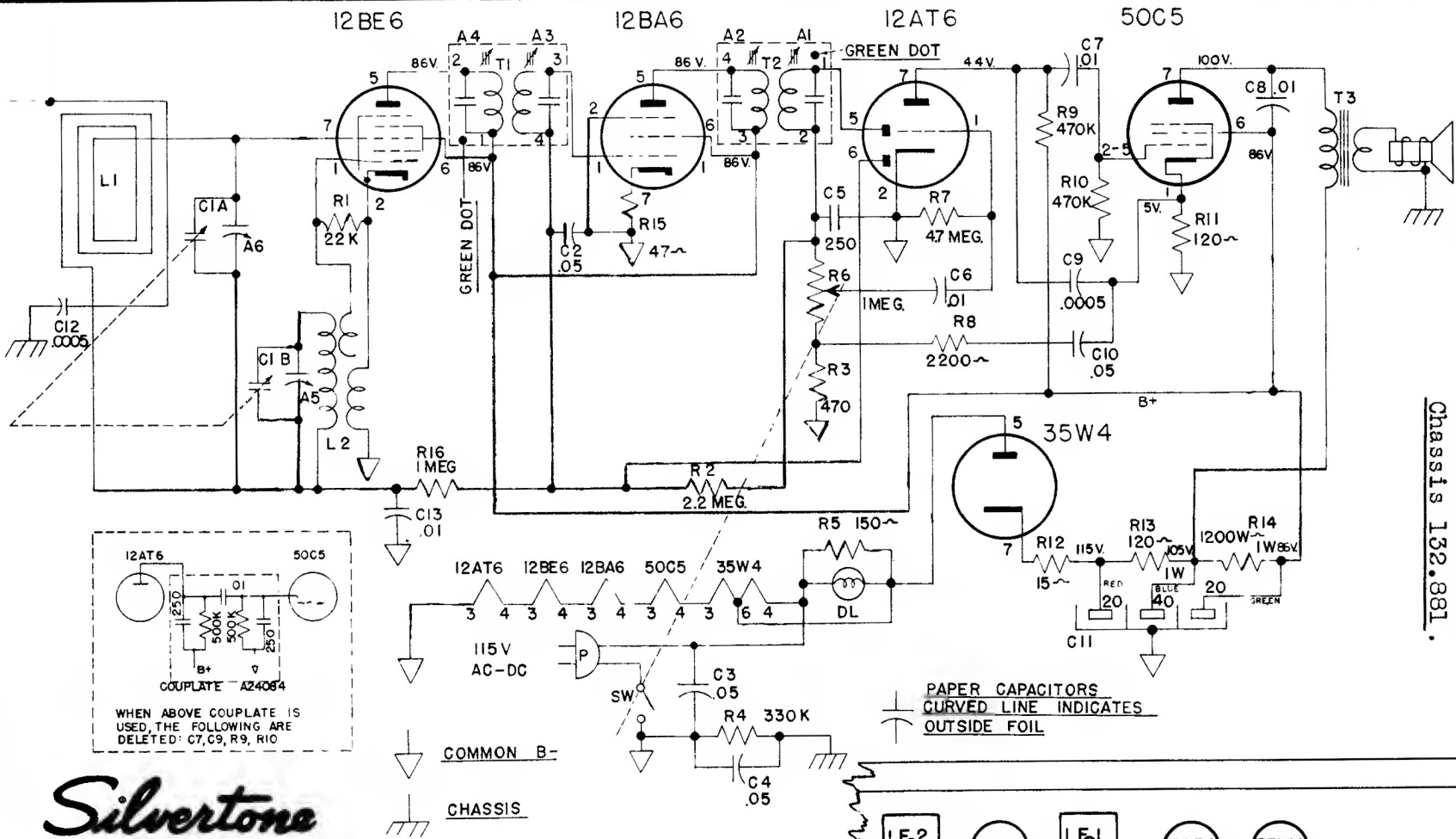


Sears, Roebuck & Co. Sets Nos. 5 and 6,
Chassis 132.981.



WHEN ABOVE COUPLATE IS USED, THE FOLLOWING ARE DELETED: C7, C9, R9, R10

Silvertone

Position of Variable	Frequency of Generator	Dummy Antenna	Generator Output Connection	Trimmers Adjusted in Order Shown for Maximum Output	Function of Trimmer
Open	455 Kc	.05 mfd.	12BE6 Grid (Stator of C1A)	A1, A2, A3, A4,	IF
Open	1620 Kc		Test Loop	A5, A6 on Variable Condenser	Osc. Ant.
600 Kc	600 Kc		Test Loop	Check Point	

