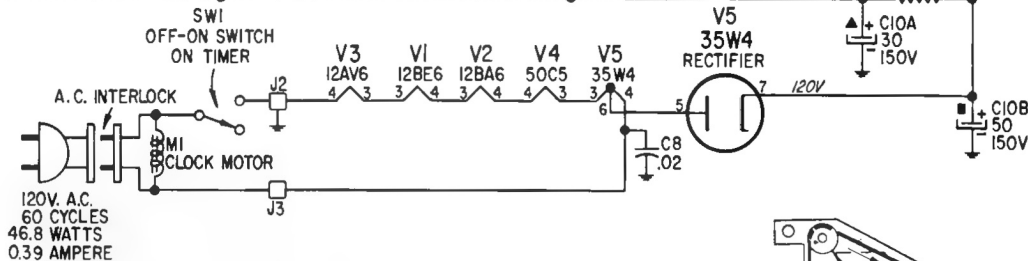


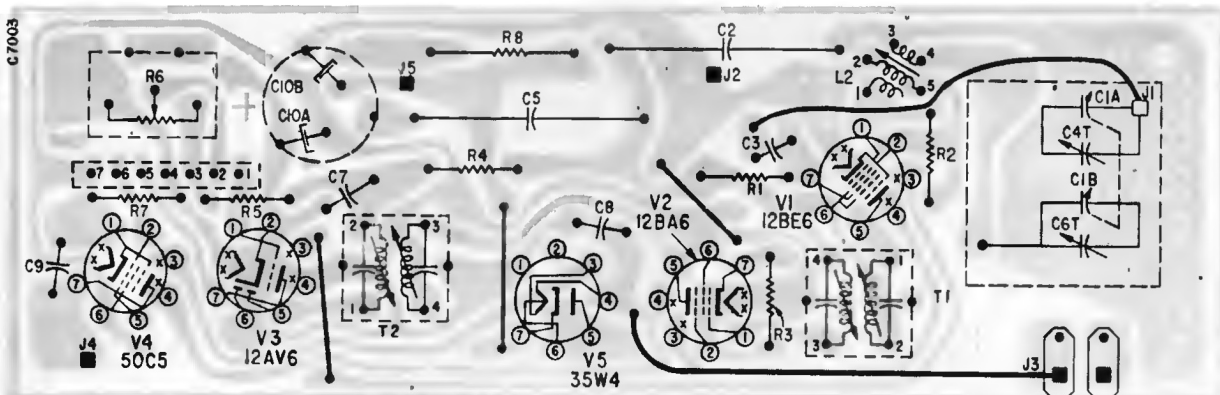
NOTES:

1. ALL RESISTORS 1/2 WATT, UNLESS OTHERWISE NOTED.
2. VALUES OF CAPACITORS IN MFD, UNLESS OTHERWISE NOTED.
3. VOLTAGES MEASURED FROM POINT INDICATED TO CHASSIS GROUND WITH "VTVM" NO SIGNAL INPUT.
4. J1, J2 ETC. INDICATES TERMINAL CONNECTIONS ON CIRCUIT BOARD.

IF 455 KC.

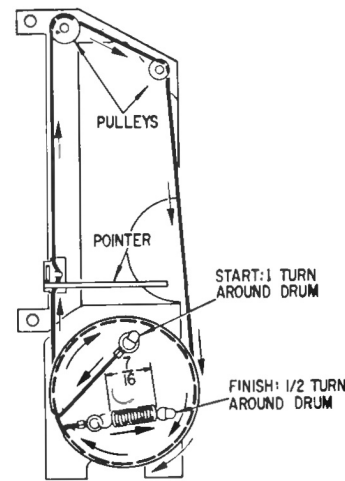


SEARS | Silvertone
CLOCK-RADIO
RADIO CHASSIS NO. 528.63101
 MODELS 5036, 5037, 5038, 5039



CIRCUIT BOARD DIAGRAM

1. WIRING DIAGRAM SHOWN FROM CIRCUIT SIDE.
2. SOLID LINES INDICATE WIRE JUMPERS.



NOTE: STRINGING DIAGRAM SHOWN WITH TUNING GANG FULLY CLOSED

STRINGING DIAGRAM