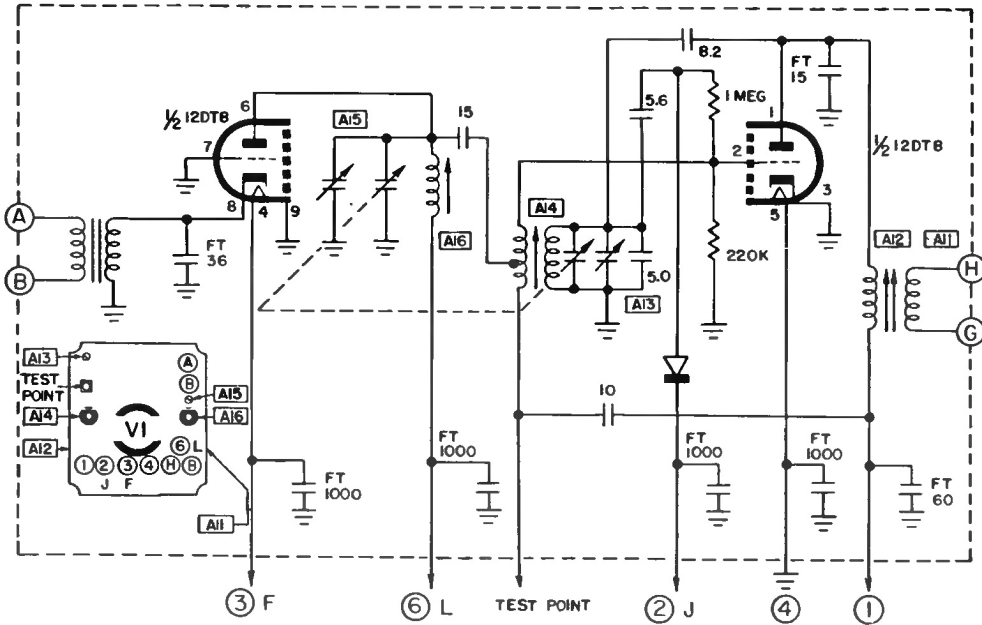


Silvertone

Sears, Roebuck Chassis 132.84101, Models 5045, 5046



TUNER SCHEMATIC

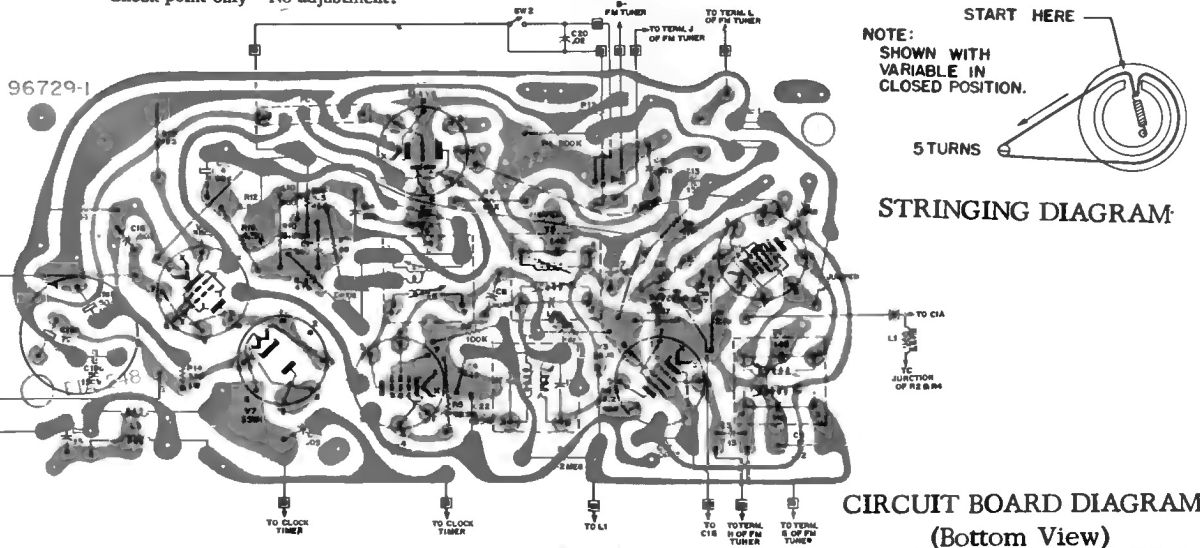
AM ALIGNMENT PROCEDURE

Position of Variable	Generator Frequency	Dummy Antenna	Generator Connection (high)	Generator Connection Ground Lead	Adjust Trimmer in Order Shown for Max. Output	Trimmer Function
Open	455 Kc	.05 mfd.	Pin 7, 12BE6	B-through .1 mfd	A1, 2, 3, 4	I. F.
Open	1640 Kc		*Test Loop	Test Loop	A5	Oscillator
1400 Kc	1400 Kc		*Test Loop	Test Loop	A6	Antenna
**600 Kc	600 Kc		*Test Loop	Test Loop	Check Point	

*Three (3) turns of wire 6" in diameter placed about one foot from the receiver antenna.

The alignment procedure should be repeated in the original order for greatest accuracy. Always keep the output from the signal generator at its lowest possible value to make the AVC action of the receiver ineffective.

** Check point only - No adjustment.

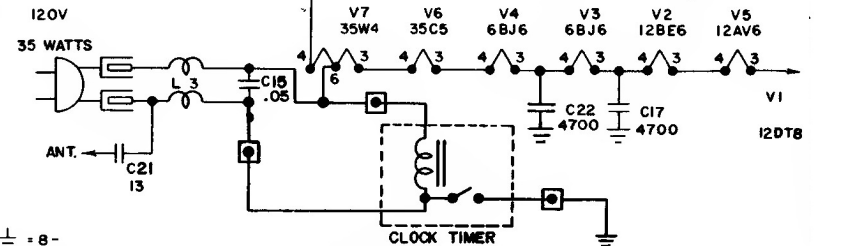
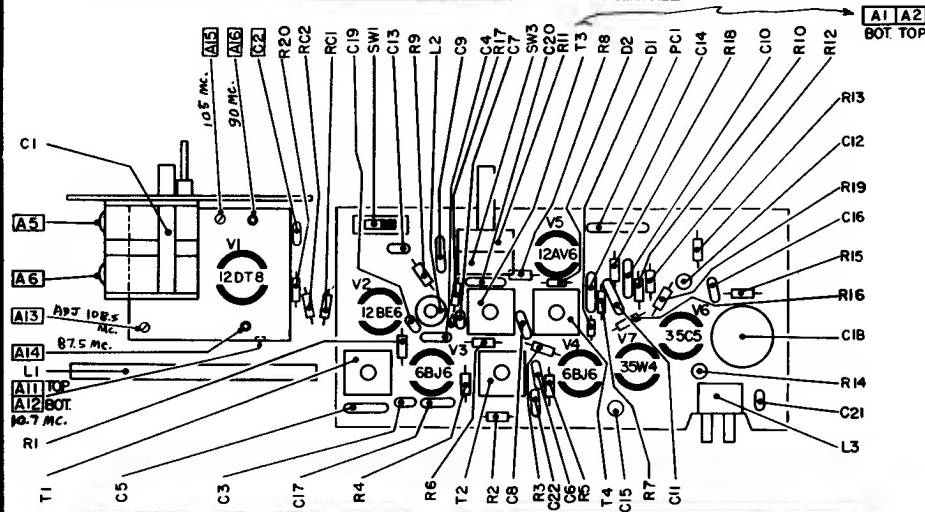
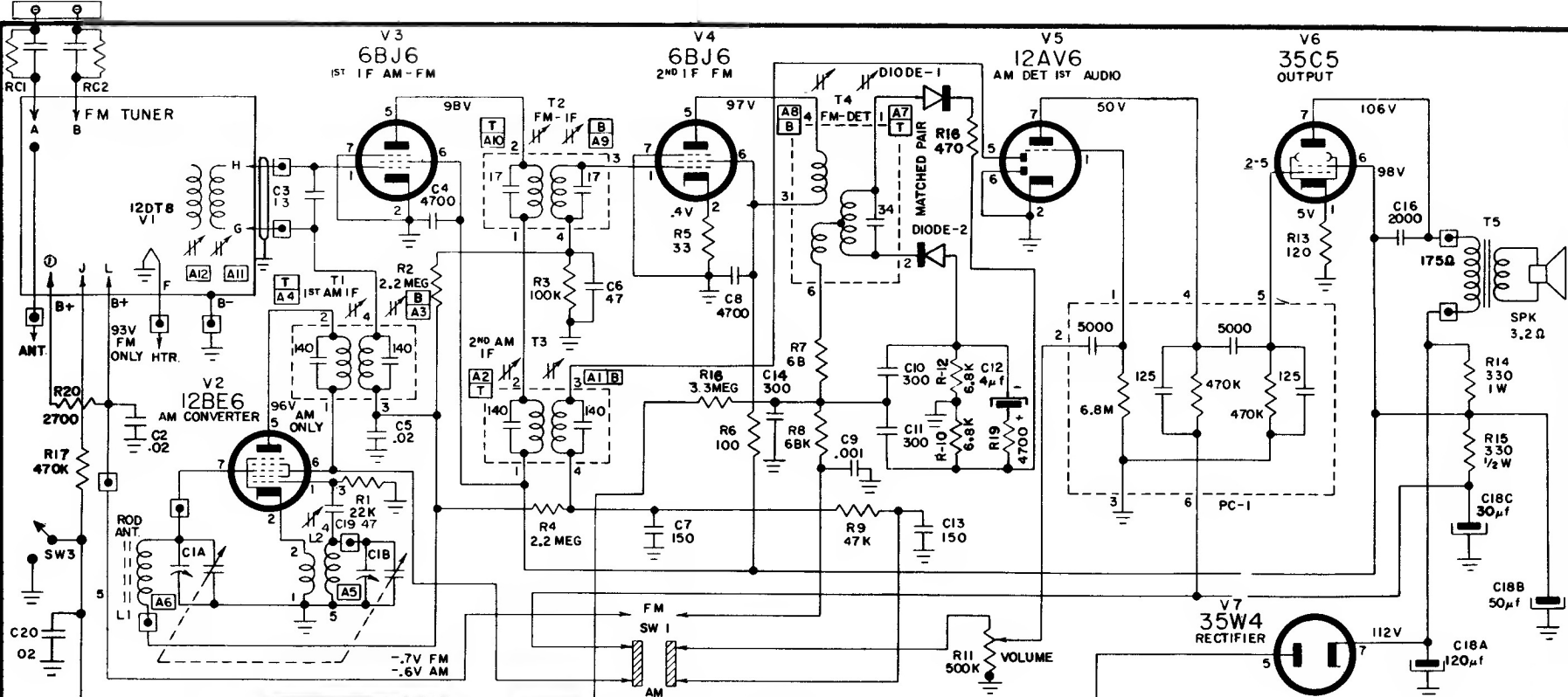


NOTE:
SHOWN WITH
VARIABLE IN
CLOSED POSITION.

5 TURNS

STRINGING DIAGRAM

CIRCUIT BOARD DIAGRAM
(Bottom View)



⊥ = 8-
 □ = EXTERNAL CONNECTION TO PRINTED BOARD.

VOLTAGES MEASURED TO B- WITH A V.T.V.M. ±20%, NO SIGNAL.
 FM POSITION UNLESS OTHERWISE NOTED B+ VOLTAGES SHOULD BE APPROX 2V HIGHER IN AM POSITION.

RESISTANCE VALUES ARE IN OHMS K=1,000, MEG=1,000,000.
 CAPACITANCE VALUES LESS THAN (1) ARE IN MICROFARADS (μf), AND VALUES OF (1) OR GREATER ARE IN MICROMICROFARADS (μμf) UNLESS OTHERWISE INDICATED.

Sears, Roebuck Chassis 132.84101
 Models 5045, 5046

[A3] [A4] BOT. TOP
 [A9] [A10] 10.7 MC. BOT. TOP
 [A7] [A8] 10.7 MC. TOP BOT.