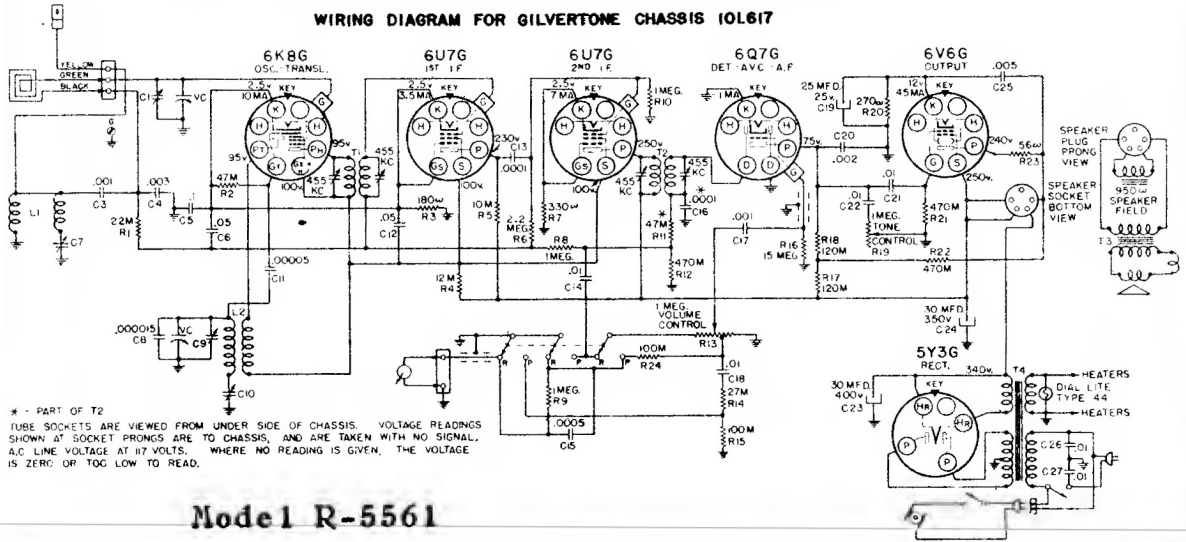


WIRING DIAGRAM FOR GILVERTONE CHASSIS 10L617

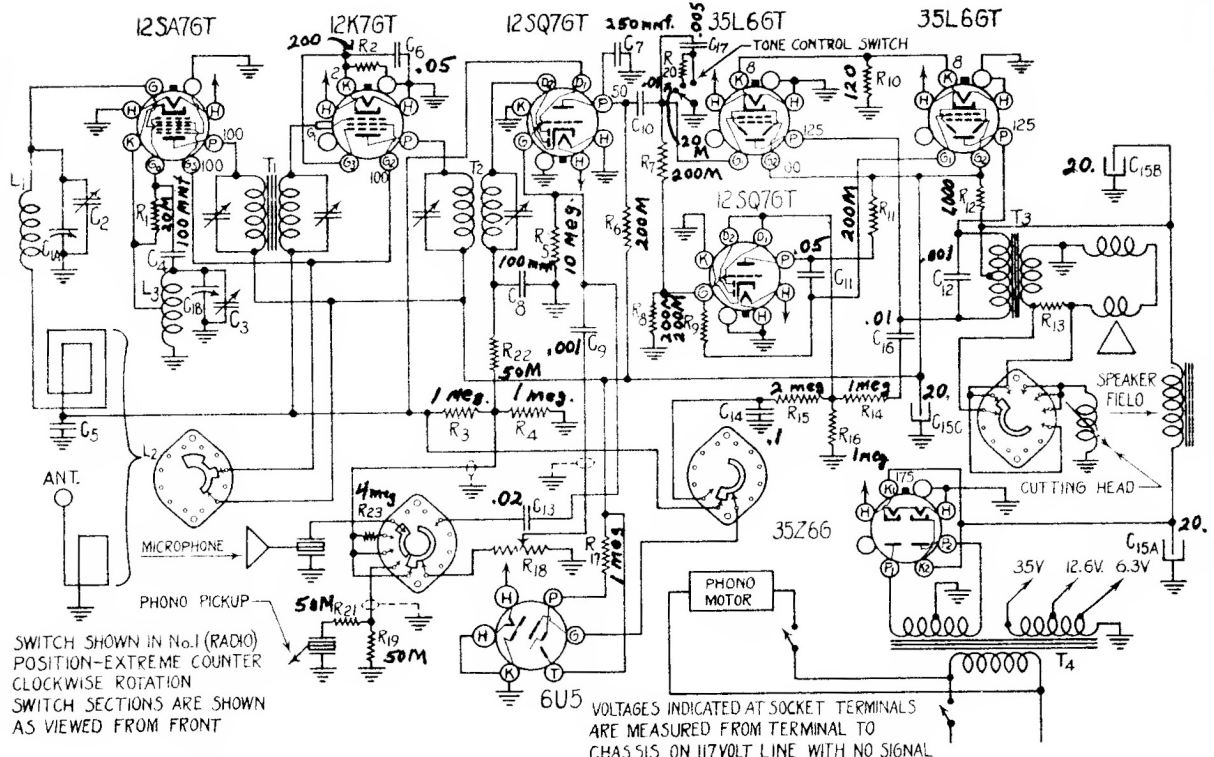


\* - PART OF T2  
 TUBE SOCKETS ARE VIEWED FROM UNDER SIDE OF CHASSIS. VOLTAGE READINGS SHOWN AT SOCKET PRONGS ARE TO CHASSIS, AND ARE TAKEN WITH NO SIGNAL, A.C. LINE VOLTAGE AT 117 VOLTS. WHERE NO READING IS GIVEN, THE VOLTAGE IS ZERO OR TOO LOW TO READ.

Model R-5561

Sears, Roebuck & Co. Models 5732 and 5732-B  
 Factory Nos. 109.371 and 109.371-1

These receivers are alike except that the early model C13 is .001 mfd. and C9 is .002 mfd. Also the connection from C13 was connected to the volume control side of C9.



SWITCH SHOWN IN No.1 (RADIO) POSITION—EXTREME COUNTER CLOCKWISE ROTATION  
 SWITCH SECTIONS ARE SHOWN AS VIEWED FROM FRONT

VOLTAGES INDICATED AT SOCKET TERMINALS ARE MEASURED FROM TERMINAL TO CHASSIS ON 117VOLT LINE WITH NO SIGNAL

M = 1,000 μ