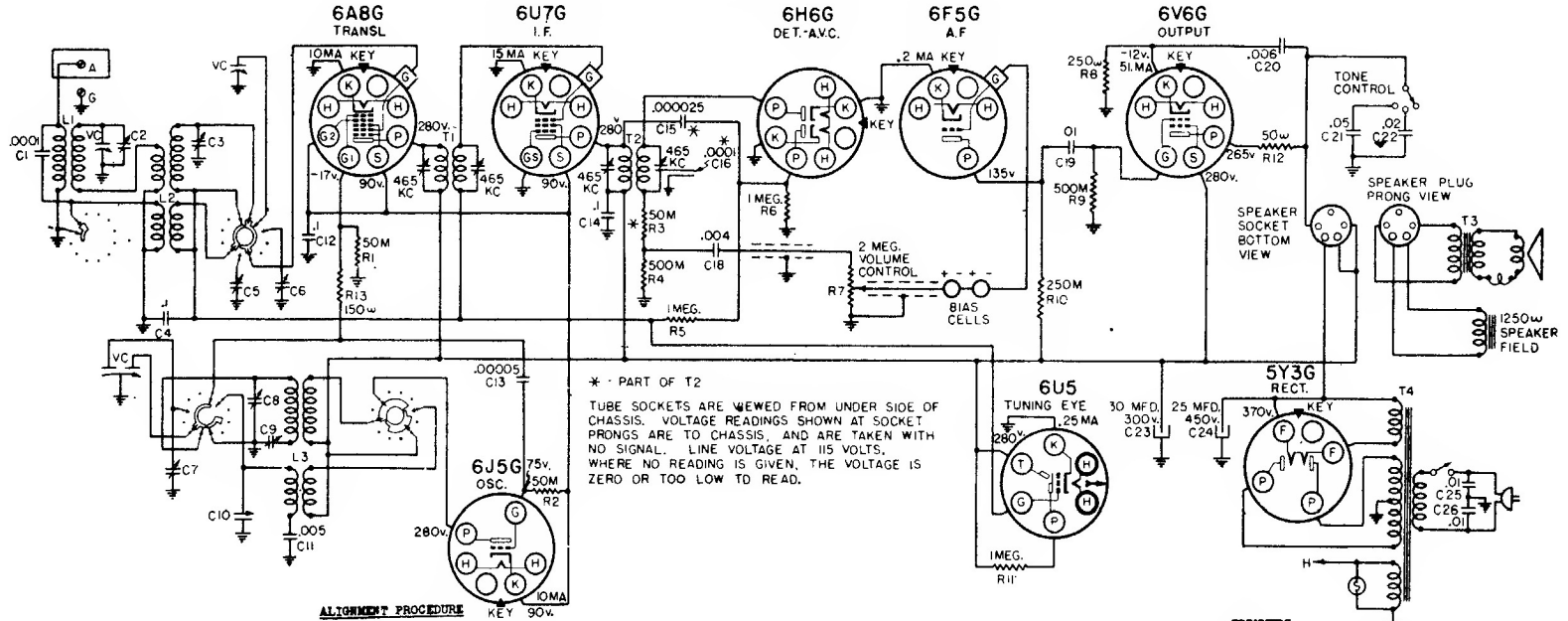


WIRING DIAGRAM FOR SILVERTONE CHASSIS 101.510



ALIGNMENT PROCEDURE

PRELIMINARY:

Output meter connection Across loud speaker voice coil
 Output meter reading to indicate 500 milliwatts 0.85 volt
 Average sensitivity in microvolts for 500 milliwatts output See chart below
 Generator ground lead connection Receiver chassis
 Dummy antenna value to be in series with generator output See chart below
 Connection of generator output lead See chart below
 Generator modulation 30%, 400 cycles
 Position of Volume Control Fully clockwise
 Position of Tone Control HI
 Position of Dial Pointer with variable fully closed Center of block to left of 550 kc calibration mark.

* PART OF T2
 TUBE SOCKETS ARE VIEWED FROM UNDER SIDE OF CHASSIS. VOLTAGE READINGS SHOWN AT SOCKET PRONGS ARE TO CHASSIS, AND ARE TAKEN WITH NO SIGNAL. LINE VOLTAGE AT 115 VOLTS, WHERE NO READING IS GIVEN, THE VOLTAGE IS ZERO OR TOO LOW TO READ.

WAVE BAND SWITCH POSITION	POSITION OF VARIABLE	GENERATOR FREQUENCY	DUMMY ANTENNA	GENERATOR CONNECTION	TRIMMERS ADJUSTED (IN ORDER SHOWN)	TRIMMER FUNCTION	APPROXIMATE MICROVOLTS
AM	Closed	485 kc	.1 afd.	6A8G Grid	T2, T1	IF Output IF Input	90
SW	15 ao (rook)	15 mc	400 ohms	Ant. Term.	C5	Transletor	50
SPOR	9.55 mc	9.55 mc	400 ohms	Ant. Term.	C7* C8	Oscillator Translator	80
AM	Fully open	1730 kc	.0008 mfd.	Ant. Term.	C8	Oscillator	90
AM	1400 kc	1400 kc	.0008 afd.	Ant. Term.	C3, C2	Transl., Ant.	75
AM	900 kc(rook)	800 kc	.0008 mfd.	Ant. Term.	C9	Padder	80

IMPORTANT ALIGNMENT NOTES

The alignment must be done in the order given.

*Two peaks can be had, one with the trimmer screwed further out than the other. The correct adjustment is with the trimmer screwed further out. The other peak is the image.

Sears, Roebuck and Co., Chicago.

Models 6003, 6004, 6024, 6034, 6124, 6134