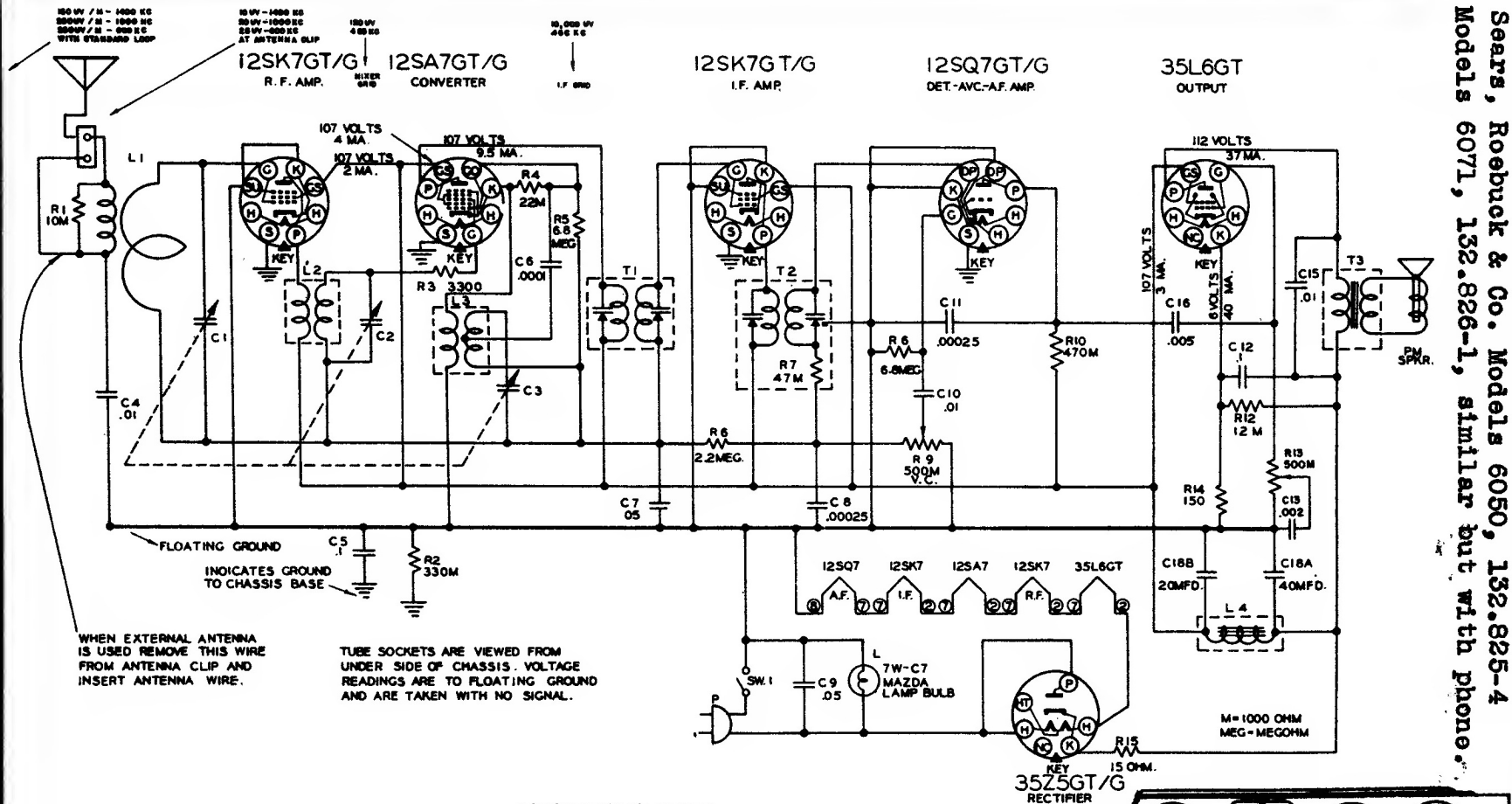


APPROX. INPUT REQUIRED FOR 500 MILLIWATTS, STANDARD OUTPUT



WHEN EXTERNAL ANTENNA IS USED REMOVE THIS WIRE FROM ANTENNA CLIP AND INSERT ANTENNA WIRE.

TUBE SOCKETS ARE VIEWED FROM UNDER SIDE OF CHASSIS. VOLTAGE READINGS ARE TO FLOATING GROUND AND ARE TAKEN WITH NO SIGNAL.

Sears, Roebuck & Co. Models 6050, 132.825-4 Models 6071, 132.826-1, similar but with phone.

ALIGNMENT DATA

With variable condenser closed set pointer horizontal.

| Position of Variable | Generator Frequency | Dummy Ant. | Generator Connection (high) | Generator Connection (low) | Adjust Trimmers (In order shown) | Trimmer Function |
|----------------------|---------------------|------------|-----------------------------|----------------------------|----------------------------------|------------------|
| Open | 455 Kc | .05 mfd | Mixer grid | Float. Gnd. | T2-T1 | I-F |
| 1400 | 1400 | 50 mmfd | Ant. clip | Chassis | C3-C2-C1 | Osc.-Mixer R-f |

NOTE: Trimmer C3 (oscillator) is located either above or below, depending upon the type of variable condenser used in any particular receiver.

