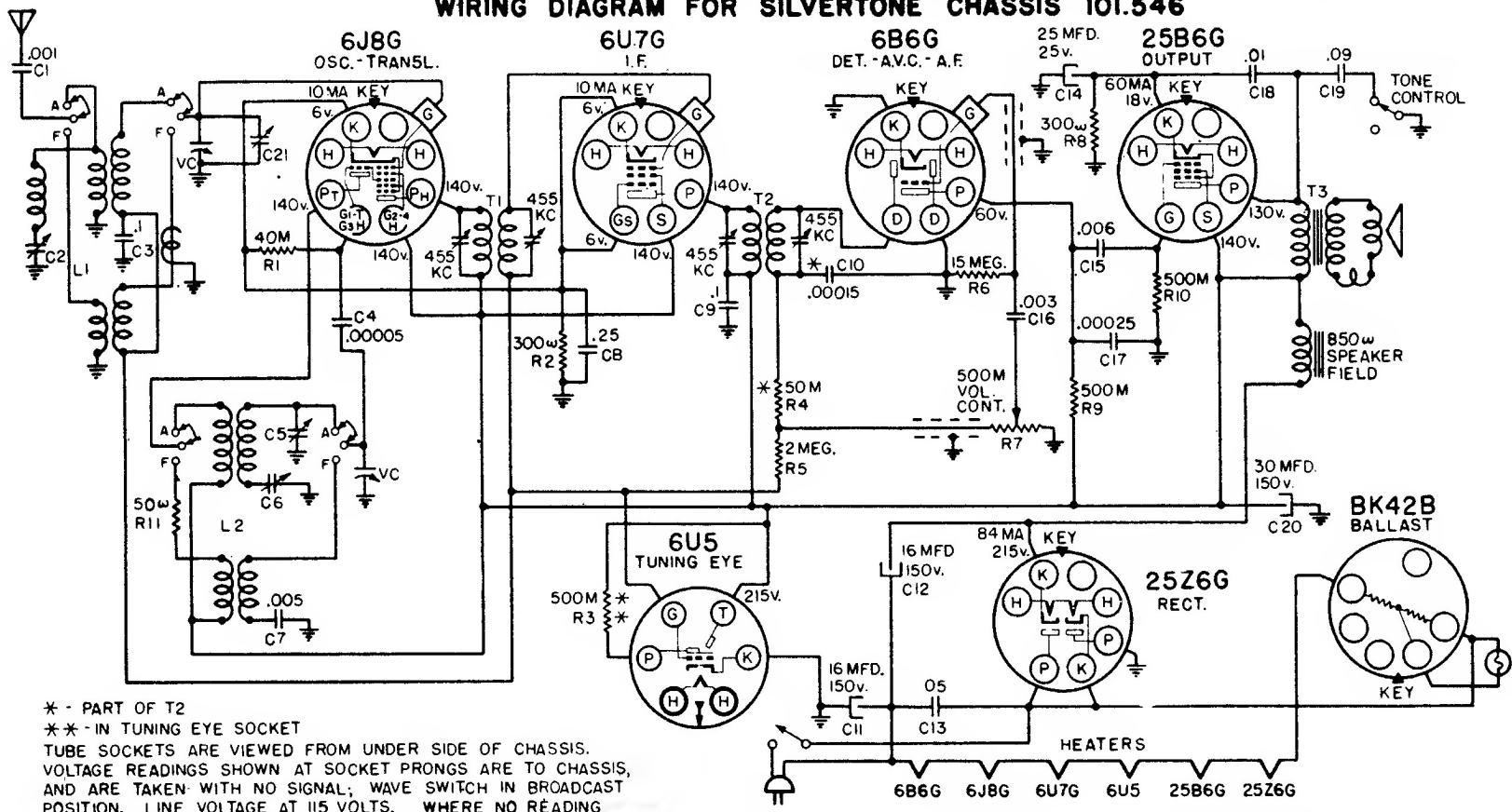


WIRING DIAGRAM FOR SILVERTONE CHASSIS 101.546



* - PART OF T2
 ** - IN TUNING EYE SOCKET
 TUBE SOCKETS ARE VIEWED FROM UNDER SIDE OF CHASSIS.
 VOLTAGE READINGS SHOWN AT SOCKET PRONGS ARE TO CHASSIS,
 AND ARE TAKEN WITH NO SIGNAL; WAVE SWITCH IN BROADCAST
 POSITION. LINE VOLTAGE AT 115 VOLTS. WHERE NO READING
 IS GIVEN, THE VOLTAGE IS ZERO OR TOO LOW TO READ.

WAVE BAND SWITCH POSITION	POSITION OF VARIABLE	GENERATOR FREQUENCY	DUMMY ANTENNA	GENERATOR CONNECTION	TRIMMERS ADJUSTED (IN ORDER SHOWN)	TRIMMER FUNCTION
"AM"	Closed	455 kc	.1 mfd.	6J8G Grid	T2, T1	IF Output IF Input
"AM"	600 kc	455 kc*	.0003 mfd.	Ant. Lead	C3*	Wave Trap
"AM"	1400 kc	1400 kc	.0003 mfd.	Ant. Lead	C5, C21	Oscillator Translator
"AM"	800 kc (rock)	600 kc	.0003 mfd.	Ant. Lead	C6	Padder

Sears, Roebuck & Co.
Models 6200, 6120, 6126,
6127, 6119, 6250.