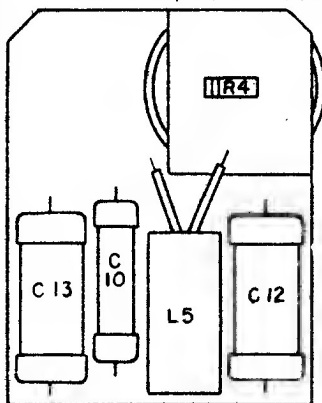
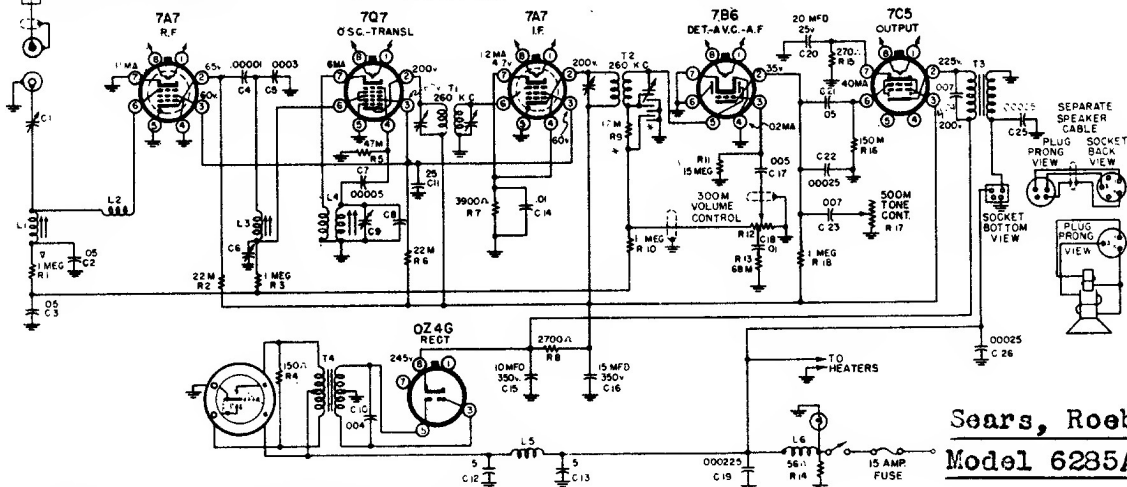
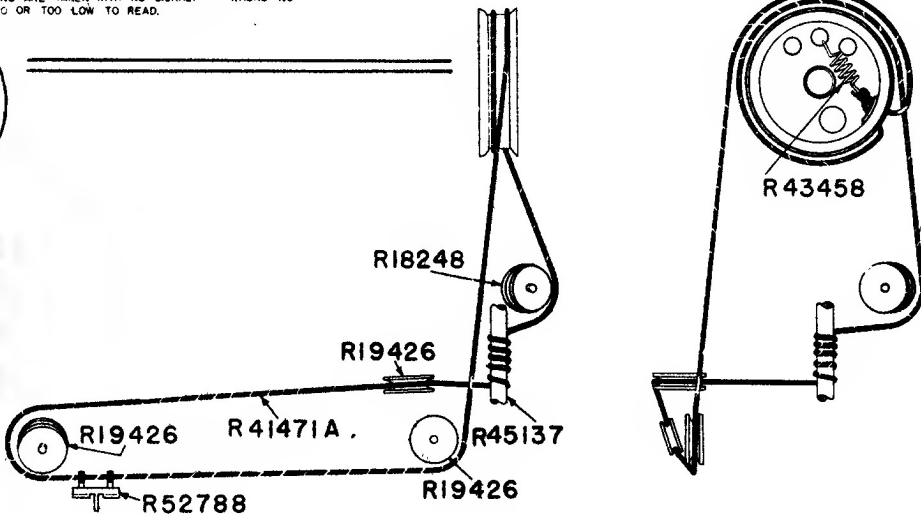


* PART OF T2 ∇ PART OF L1
TUBE SOCKETS ARE VIEWED FROM UNDER SIDE OF CHASSIS. VOLTAGE READINGS SHOWN AT SOCKET PRONGS ARE TO CHASSIS AND ARE TAKEN WITH NO SIGNAL. WHERE NO READING IS GIVEN, THE VOLTAGE IS ZERO OR TOO LOW TO READ.



**LOCATION OF PARTS
UNDER POWER SUPPLY
101.666A-1B**



* PART OF T2 ∇ PART OF L1
TUBE SOCKETS ARE VIEWED FROM UNDER SIDE OF CHASSIS. VOLTAGE READINGS SHOWN AT SOCKET PRONGS ARE TO CHASSIS, AND ARE TAKEN WITH NO SIGNAL. WHERE NO READING IS GIVEN, THE VOLTAGE IS ZERO OR TOO LOW TO READ.
"A" BATTERY - 6 VOLTS CURRENT DRAIN - 6.5 AMPERES

DIAGRAM 101.666-1B