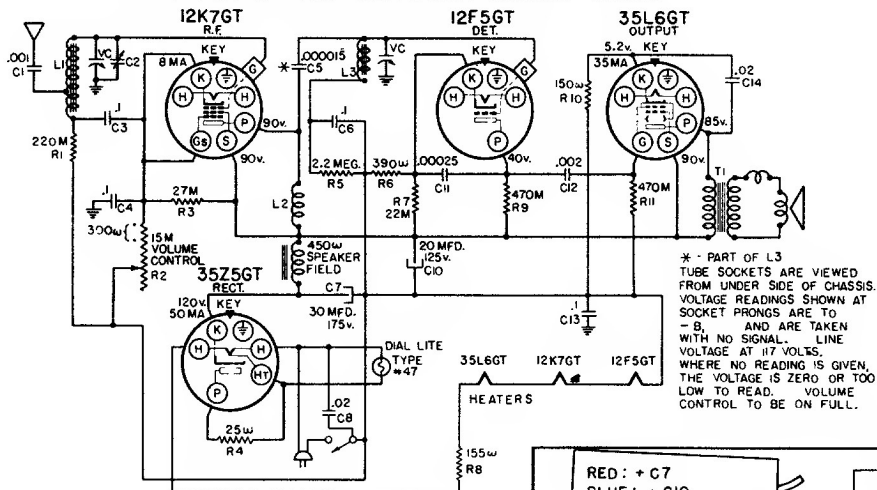
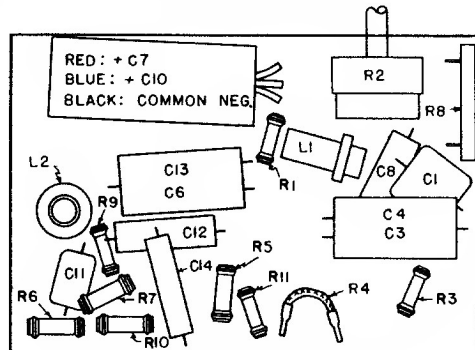
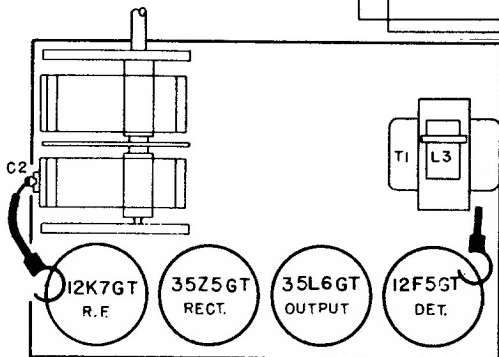


WIRING DIAGRAM FOR SILVERTONE CHASSIS 101.565

Sears,
Models
6400
6401
6402



* - PART OF L3
TUBE SOCKETS ARE VIEWED FROM UNDER SIDE OF CHASSIS. VOLTAGE READINGS SHOWN AT SOCKET PRONGS ARE TO - B₁ AND ARE TAKEN WITH NO SIGNAL. LINE VOLTAGE AT 117 VOLTS. WHERE NO READING IS GIVEN, THE VOLTAGE IS ZERO OR TOO LOW TO READ. VOLUME CONTROL TO BE ON FULL.



LOCATIONS OF PARTS UNDER CHASSIS