

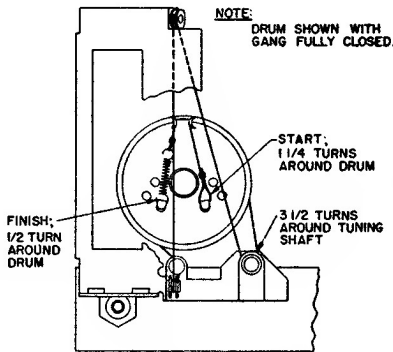
SEARS, ROEBUCK and CO.

SILVERTONE CALENDAR CLOCK-RADIO CHASSIS NUMBER 528.46700

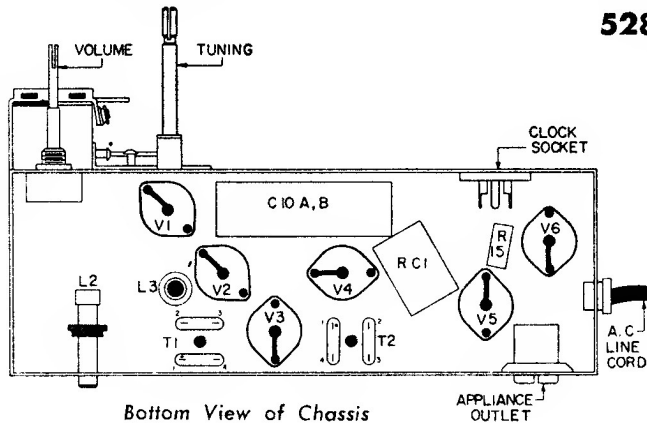
528.46701

MODEL NUMBERS

7025
7026
7027

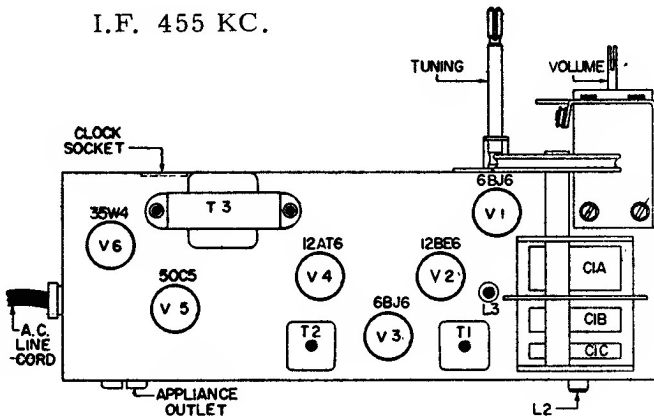


Dial Stringing Diagram



Bottom View of Chassis

I.F. 455 KC.



Top View of Chassis

SCHEMATIC LOCATION

PART NUMBER

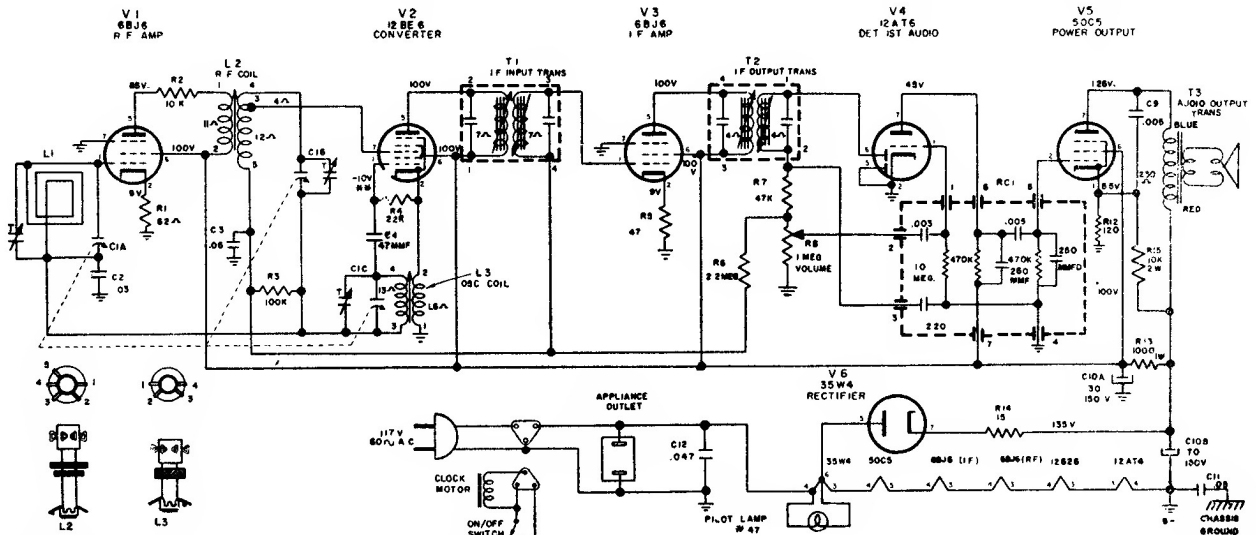
DESCRIPTION

CAPACITORS

C1 A, B, & C	19-23-3	Variable, TUNING (Inc. Drum)
C2, C11	16-50343	Tubular, .05 mfd., 400 v.
C3	16-50323	Tubular, .05 mfd., 200 v
C4	15-470168	Disc, 47 mmfd., 500 v., N3300
C9	15-50217	Disc, .005 mfd., 500 v., GMV
C10 A & B	18-11-2	Electrolytic, 30-70 mfd., 150 v.
C12	20-447-1	Tubular, .047 mfd., 400 v. (Special, No Substitute)

TRANSFORMERS AND COILS

L1	82-108	Coil, Ant. Loop and Back
L2	10-5-1	Coil, R.F.
L3	10-4-4	Coil, Oscillator
T1	10-45-2	Transformer, I.F. Input
T2	10-46-2	Transformer, I.F. Output
	83-421	Clip, I.F. Mtg. (2)
T3	80-312	Transformer, Audio Output



NOTES

- VALUES OF CAPACITORS IN MFD UNLESS OTHERWISE NOTED
- ALL RESISTORS 1/2 WATT UNLESS OTHERWISE NOTED

- VOLTAGES MEASURED FROM POINT INDICATED TO COMMON GROUND WITH 20,000 OHM/VOLT METER ON 175 V. A.C., 60 V. LINE
- TAKEN WITH VTVM